

Portable Adjustable Self-Service Protector

FINISH:

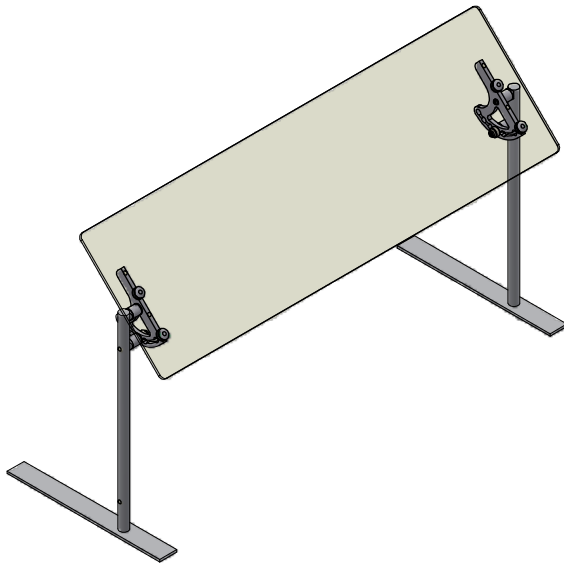
- Clear Anodized Aluminum
 - Brushed Stainless Steel
 - Powder Coat:
 - Black Silver
- RAL # _____

GLASS (Clear Tempered):

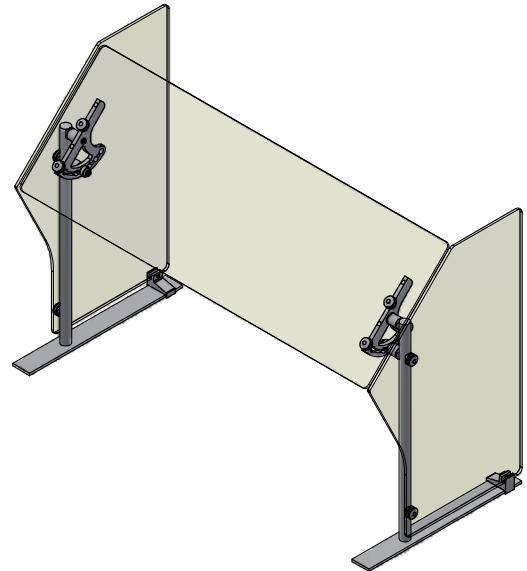
- 1/4" Front - Std
 - 3/8" Front
- Clear Tempered Glass with Ground & Polished Edges and Rounded Corners

OPTIONS:

- 1 End Panel
- 2 End Panels



Basic Models Ship Without End Panels. If End Panels are Required, Order the Number of End Panel Kits Desired



End Panels are 1/4" Clear Tempered Glass Unless Otherwise Specified.

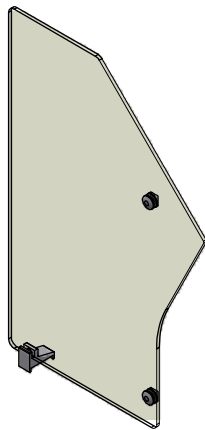
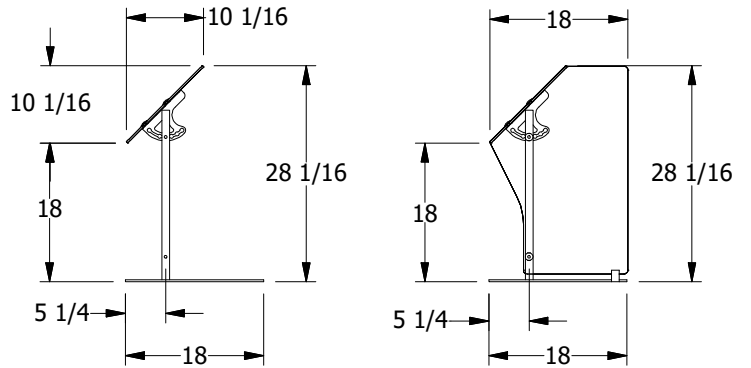
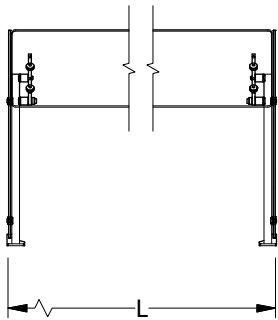
PART #	DESCRIPTION:
VG3-P-SP-24	24" OA = 20" Clear = 23" Glass - 1/4" Thick
VG3-P-SP-30	30" OA = 26" Clear = 29" Glass - 1/4" Thick
VG3-P-SP-36	36" OA = 32" Clear = 35" Glass - 1/4" Thick
VG3-P-SP-42	42" OA = 38" Clear = 41" Glass - 1/4" Thick
VG3-P-SP-48	48" OA = 44" Clear = 47" Glass - 1/4" Thick
VG3-P-SP-54	54" OA = 50" Clear = 53" Glass - 3/8" Thick
VG3-P-SP-60	60" OA = 54" Clear = 59" Glass - 3/8" Thick

**Max Recommended Length for any Glass Panel is 60" (3/8" Glass)

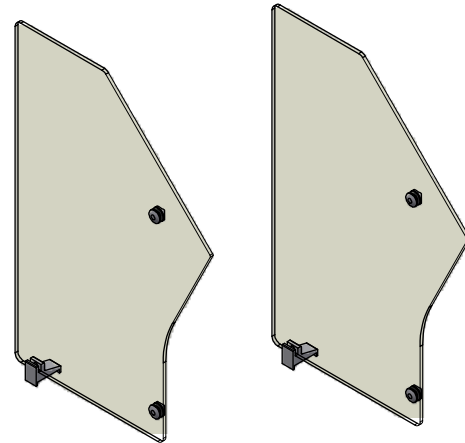
- End Panels are 1/4" Glass - Can be Added On-site
- Vertical Clearance Range is 15-5/8" to 22-5/8"
- Mounting Base is 2" Wide x 18" Deep
- 1"Ø CNC-Machined Solid Support Posts
- CNC-Machined Component Hardware

**Portable Adjustable Self-Service
Protector**

-Overall Dimensions -
L - 48" Max (1/4" Glass)
- 60" Max (3/8" Glass)



SKU: VG3-P-SP-EP1
1 End Panel



SKU: VG3-P-SP-EP
2 End Panels

GLASS ADJUSTMENT POSITIONS

