



# AMBIENT AND CHILLED

## CONCEPT

### COUNTER CHILLED DISPLAYS

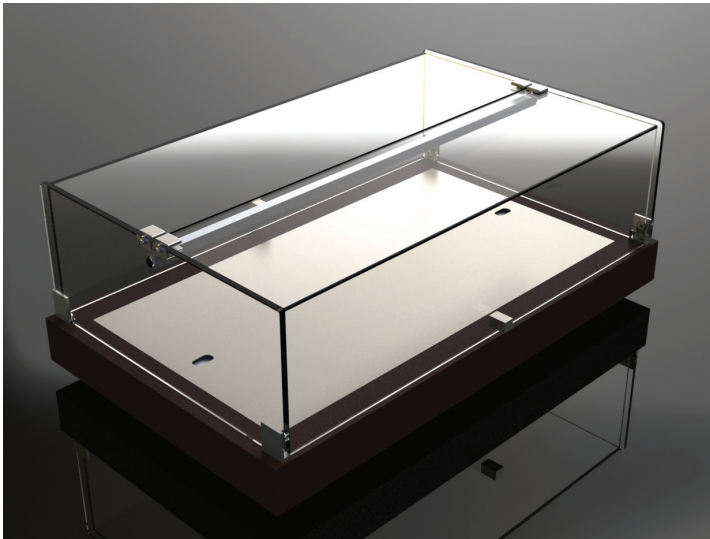
Fully panoramic displays offer versatility

#### FEATURES:

- Chilled counter top display
- Laminated galvanized exterior base
- Aluminum chill pack cover and interior liner
- Eutectic chill plate included - provides up to 4 hours of holding cold food
- Center mounted Plexiglas dual hinged cover with metal door pulls
- Additional chill packs available
- Ideal for meeting rooms, buffets, county fairs, dessert stations and much more

## CHILLY

TE58C / TE87C



### COUNTER AMBIENT DISPLAYS

Fully panoramic displays offer versatility

#### FEATURES:

- Two tempered glass shelves
- MDF top on TP353: Tempered glass top on TN583
- Fully enclosed tempered glass sides and doors
- Pass through design with aluminum columns
- MDF base material laminated

## AMBIENTE

TP353



With vertical doors

## ELEGANTE

TN583



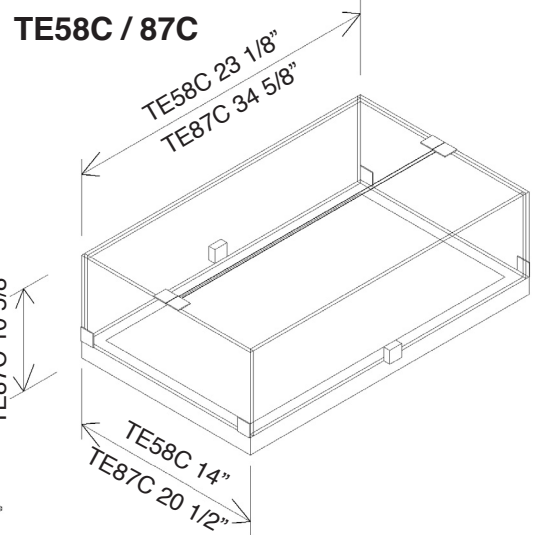
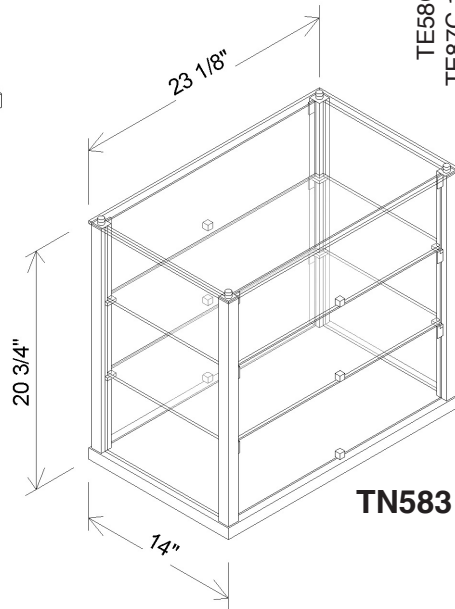
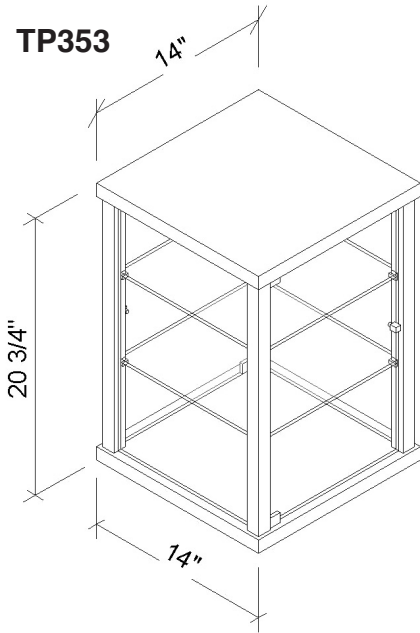
With horizontal doors



100 NIAN TIC AVENUE; SUITE 104 PROVIDENCE, RI 02907  
 TEL: (401)273-3300 FAX: (401) 273-3328 E-mail: sales@equipex.com  
 www.equipex.com



**COUNTERTOP DISPLAYS**



**SPECIFICATIONS**

MODEL	EXTERIOR DIMENSIONS	SHELF DIMENSIONS	SHELF SPACING	SHIPPING WEIGHT
TP353	14"W x 14"D x 20 3/4"H	12 1/4"W x 11 5/8"D	6"	45 lbs
TN583	23 1/8"W x 14"D x 20 3/4"H	18 7/16"W x 12"D	6"	50 lbs
TE58C	23 1/8"W x 14"D x 7 7/8"H	21 3/8"W x 12 1/2"D	1 chill plate	25 lbs
TE87C	34 5/8"W x 20 1/2"D x 10 5/8"H	32 1/2"W x 18"D	3 chill plates	50 lbs

**WARRANTY: Limited one year parts and labor**



100 NIAN TIC AVENUE; SUITE 104 PROVIDENCE, RI 02907  
 TEL: (401)273-3300 FAX: (401) 273-3328 E-mail: sales@equipex.com  
 www.equipex.com