



CONVECTION OVEN

CONCEPT

FULL SIZE CONVECTION OVENS

High capacity, consistent quality baking in a small footprint

- Two speed rear mounted fan motor for greater variety of baking applications
- Reversing turbine fan for quick and uniform baking
- Manual steam with push-button operation
- Stainless steel exterior and interior construction
- Thermostatic temperature control up to 570°F
- 120 minute timer with audible end-of-cycle signal
- Cool-to-the-touch double glass door removable for easy cleaning
- Internal lights allow for cooking visibility
- Four chrome plated wire shelves included
- Compact footprint



EP 800 Proofer

- Stainless steel interior and exterior
- Automatic steam production
- Dough rise: 85°F in 2 hours
- 8 wire racks included

MAGNUM

FC-100

208/240 V, 1PH

FC-103

208/240 V, 3PH



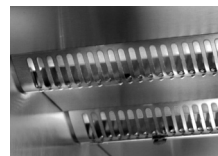
MAGNUM PLUS

FC-100G

208/240 V, 1PH

FC-103G

208/240 V, 3PH



*TurboQuartz feature



CAPACITY: FC-100/FC-103, FC-100G/FC-103G

(4) wire shelves 25 3/4"x16" (included)

(4) full size pans (18"x26"x1")

WITH TURBOQUARTZ® FEATURE

features infrared overhead broiling elements - convection and broiling modes operate separately or in combination

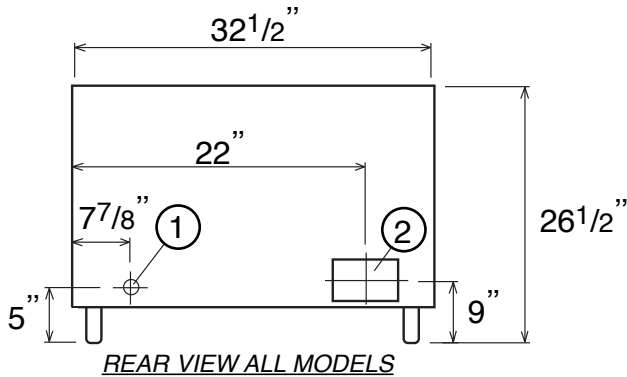


100 NIAN TIC AVENUE; SUITE 104 PROVIDENCE, RI 02907
TEL: (401)273-3300 FAX: (401)273-3328 E-mail: sales@equipex.com
www.equipex.com





**FULL SIZE CONVECTION OVEN
MODEL FC-100/FC-103**

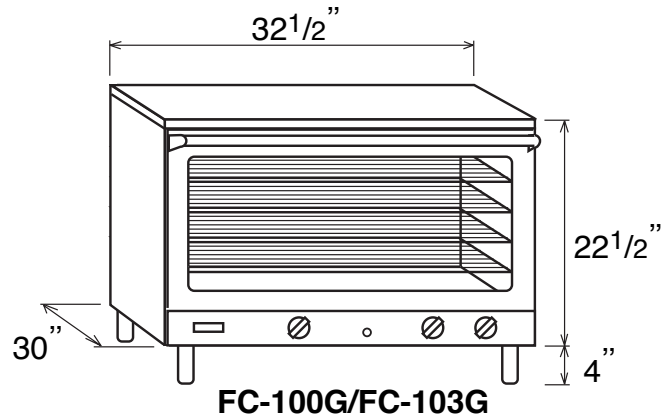
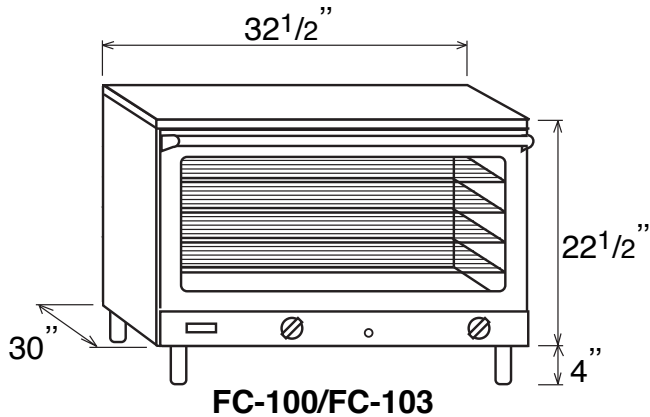


**FULL SIZE CONVECTION OVEN WITH
BROILER - TURBOQUARTZ®
MODEL FC-100G/FC-103G**

All features of FC-100 with infrared heating elements overhead - convection and broiling modes operate separately or in combination

SERVICE CONNECTIONS AND NOTES:

- ① - cold water supply: 1/2" hose connection
- ② - electrical connection:
FC-100/FC-100G - 6 ft. cord and plug
FC-103/FC-103G - terminal block



INSTALLATION CLEARANCE ALL MODELS: 4" EACH SIDE, TOP AND BACK

SPECIFICATIONS

MODEL	ELECTRICAL	EXTERIOR DIMENSIONS	INTERIOR DIMENSIONS	SHIPPING WEIGHT	NEMA PLUG
FC-100	208/240V, 1PH, 6KW, 25/29 Amps	32 1/2"Wx30"Dx22 1/2"H (add 4" for legs)	26"Wx18 1/2"x13 1/2"H	195 lbs	6-50P
FC-103	208/240V, 3PH, 6KW, 15/18 Amps				no plug
FC-100G	208/240V, 1PH, 6KW, 25/29 Amps	32 1/2"Wx30"Dx22 1/2"H (add 4" for legs)	26"Wx18 1/2"x12"H	195 lbs	6-50P
FC-103G	208/240V, 3PH, 6KW, 15/18 Amps				no plug
EP800	208/240V, 1PH, 1400W, 6/7 Amps	31 1/2"Wx25 1/4"Dx36"H	(8) 23 5/8"Wx15 3/4"D Shelves	210 lbs	6-15P

*All equipment must be plugged into a dedicated circuit of the proper ratings.

WARRANTY: Limited one year parts and labor



100 NIAN TIC AVENUE; SUITE 104 PROVIDENCE, RI 02907
 TEL: (401)273-3300 FAX: (401)273-3328 E-mail: sales@equipex.com
 www.equipex.com