



ADVENTYS

INDUCTION

CONCEPT

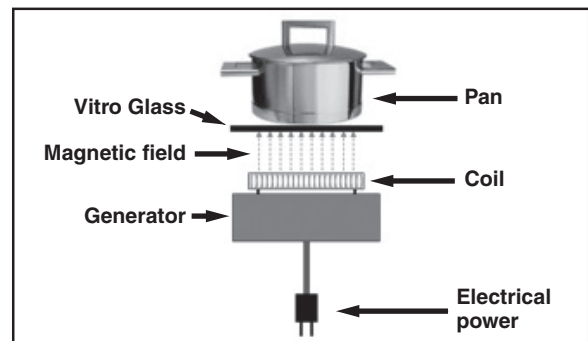
INDUCTION COOKERS FOR PROFESSIONALS

High energy efficiency (90%) and your cooking area stays cool too!

- Stainless steel casing
- Counter-top installation
- Easy to clean capacitive touch controls
- Superior airflow and cooling fans permit all day use
- Two hobs - front-to-back or side-to-side
- Automatic pan detection / power supply monitor
- Controlled high temperature feature for stir fry and sauté
- Precision low temperature control for sauces and chocolates
- Empty pan security/automatic overheating protection
- Small article protection/oil auto ignition shutoff
- Removable grease filter to clean air intake



GL2 series induction cooker shown with EQUIPEX Small Appliance Ventless Hood (SA Vent)



PERSICA

GL2-3500, 5000, 6000, 7000 208/240 V



- Durable 4mm vitroceramic glass
- Total Watts: 3500, 5000, 6000 or 7000
- Two (2) 8" Coils
- Low power to 25 W
- Air inlet in front bottom; air outlet in rear bottom
- Control panel: on/off + (+/-) + (20) power levels + 99 min. timer

SIBERIAN

GL2-3500F, 5000F, 6000F, 7000F 208/240 V



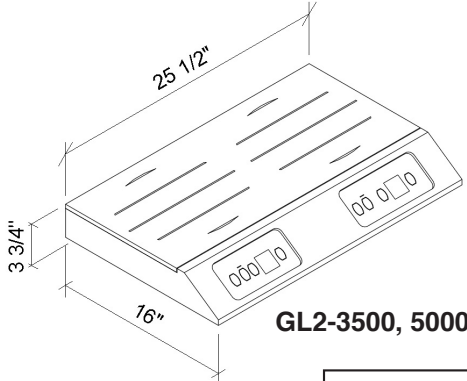
- Durable 4mm vitroceramic glass
- Total Watts: 3500, 5000, 6000 or 7000
- Two (2) 8" Coils
- Low power to 25 W
- Air inlet in front and sides bottom; air outlet in rear bottom
- Control panel: on/off + (+/-) + (20) power levels + 99 min. timer



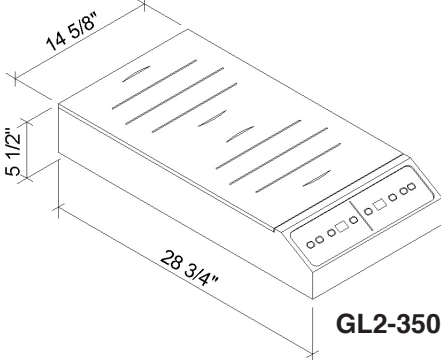
100 NIANTIC AVENUE; SUITE 104 PROVIDENCE, RI 02907
TEL: (401)273-3300 FAX: (401) 273-3328 E-mail: sales@equipex.com
www.equipex.com



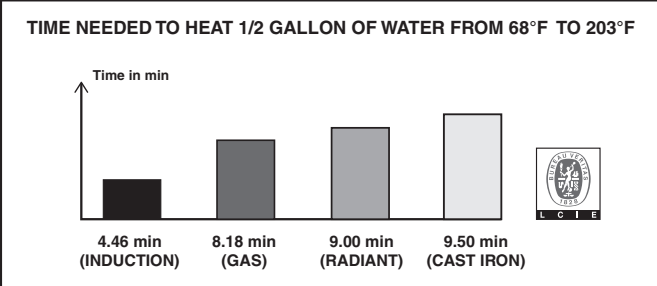
Induction Cookers



GL2-3500, 5000, 6000, 7000



GL2-3500F, 5000F, 6000F, 7000F



INDUCTION TECHNOLOGY

How does it work? Induction is a basic principal of physics. When the electric current goes through a copper coil it creates a magnetic field. The pan attracts the magnetic field and creates heat. Induction technology is over **90% efficient**, therefore there is no waste of power or heat. As soon as the pan is removed, the induction unit turns off and **saves you energy**.

CLEARANCE: 2 1/2" EACH SIDE AND REAR

MAXIMUM AMBIENT TEMPERATURE: 130°F

SPECIFICATIONS

NOTE: REQUIRES THE USE OF INDUCTION READY COOKWARE

MODEL	ELECTRICAL	EXTERIOR DIMENSIONS	SHIPPING WEIGHT	NEMA PLUG
GL2-3500	208/240V, 1PH 3.5KW, 15/17 Amps	25 1/2"W x 16"D x 3 3/4"H	22 lbs	L6 - 30P
GL2-3500F	208/240V, 1PH 3.5KW, 15/17 Amps	14 5/8"W x 28 3/4"D x 5 1/2"H	30 lbs	L6 - 30P
GL2-5000	208/240V, 1PH 5.0KW, 21/24 Amps	25 1/2"W x 16"D x 3 3/4"H	22 lbs	L6 - 30P
GL2-5000F	208/240V, 1PH 5.0KW, 21/24 Amps	14 5/8"W x 28 3/4"D x 5 1/2"H	30 lbs	L6 - 30P
GL2-6000	208/240V, 1PH 6.0KW, 25/29 Amps	25 1/2"W x 16"D x 3 3/4"H	22 lbs	6 - 50P
GL2-6000F	208/240V, 1PH 6.0KW, 25/29 Amps	14 5/8"W x 28 3/4"D x 5 1/2"H	30 lbs	6 - 50P
GL2-7000	208/240V, 1PH, 7.0KW, 30/34 Amps	25 1/2"W x 16"D x 3 3/4"H	22 lbs	6 - 50P
GL2-7000F	208/240V, 1PH, 7.0KW, 30/34 Amps	14 5/8"W x 28 3/4"D x 5 1/2"H	30 lbs	6 - 50P

WARRANTY: Limited two-year parts and labor



100 NIANTIC AVENUE; SUITE 104 PROVIDENCE, RI 02907
 TEL: (401)273-3300 FAX: (401) 273-3328 E-mail: sales@equipex.com
 www.equipex.com