



# ROAST CONCEPT

## ELECTRIC ROTISSERIE ROASTERS

*Let your customers see the process  
and enjoy the results!*

- Great for roasting chicken, chops, ribs, fish and vegetables
- Water bath/drip pan ensures smokeless operation and easy cleaning
- Attractive high polish stainless steel finish
- Infrared Quartz elements for crisp and juicy roasting
- Tinted safety glass and interior light
- 2, 3 spit and 5 basket models
- Optional roasting baskets available



RBE 25 Shown with optional double spits



### PARADE

**RBE 8**  
208/240/3

**RBE 8-1**  
208/240/1



**ROAST CAPACITY:**

2 spit / 6-8 birds

**WARM CAPACITY:**

Up to 10 birds

**OPTIONAL  
ROASTING BASKET \***

\* for models RBE 8, RBE 12



### VISTA

**RBE 12**  
208/240/3

**RBE 12-1**  
208/240/1



**ROAST CAPACITY:**

3 spit / 9-12 birds

### RITZ

**RBE 25** 208/240/3  
**ROAST CAPACITY:**

5 basket / 16-25 birds

### TURBO VISION

**RE 2** 208/240/1  
**WARMING CAPACITY:**

up to 40 birds

**RBE 25**

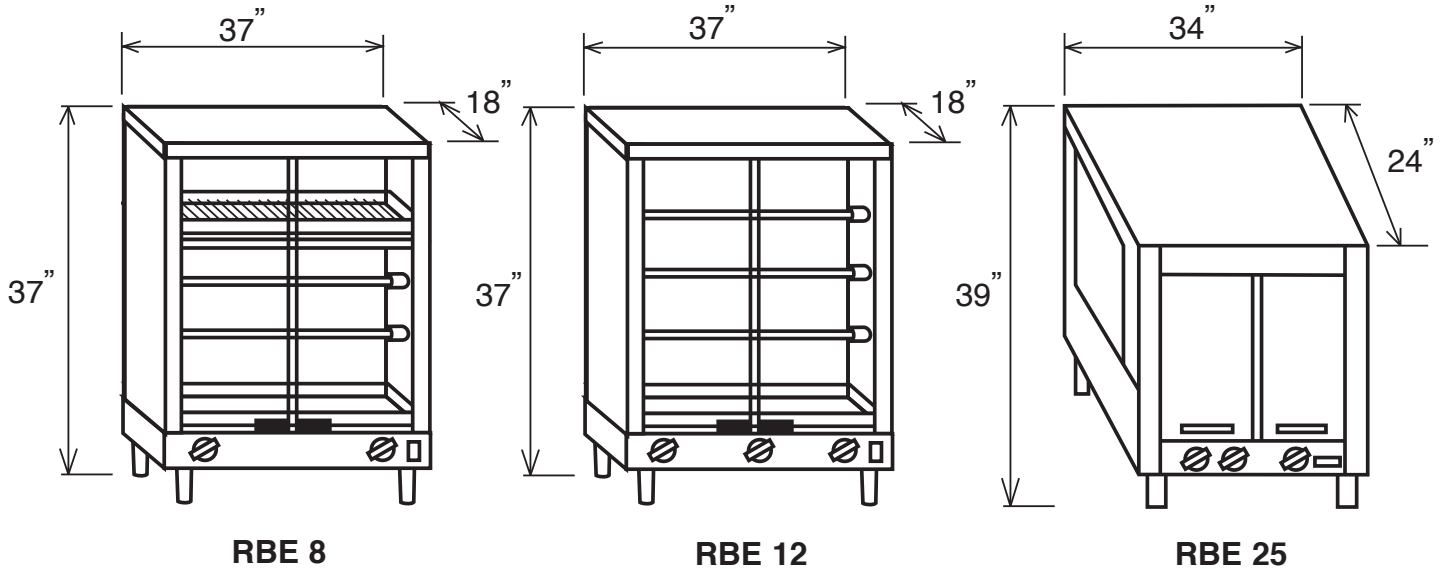
**RE 2**



100 NIAN TIC AVENUE; SUITE 104 PROVIDENCE, RI 02907  
TEL: (401)273-3300 FAX: (401)273-3328 E-mail: sales@equipex.com  
www.equipex.com



**ELECTRIC ROTISSERIE ROASTERS**



INSTALLATION CLEARANCE : 4" EACH SIDE, TOP AND BACK

**SPECIFICATIONS**

MODEL	ELECTRICAL	DIMENSIONS	SHIPPING WEIGHT	NEMA PLUG
RBE 8	208/240V, 3PH, 4.4KW, 11/13 Amps	37"Wx18"Dx37"H	180 lbs	cord only
RBE 8-1	208/240V, 1PH, 4.4KW, 18/21 Amps	37"Wx18"Dx37"H	180 lbs	L6-30 P
RBE 12	208/240V, 3PH, 6.6KW, 18/20 Amps	37"Wx18"Dx37"H	190 lbs	cord only
RBE 12-1	208/240V, 1PH, 6.6KW, 28/32 Amps	37"Wx18"Dx37"H	190 lbs	6-50 P
RBE 25	208/240V, 3PH, 9.5KW, 25/29 Amps	34"Wx24"Dx33"H (add 6" for legs)	280 lbs	cord only
RE 2	208/240V, 1PH, 2.5KW, 10/12 Amps	34"Wx24"Dx42"H (including 6" casters)	235 lbs	6-15 P

\*All equipment must be plugged into a dedicated circuit of the proper ratings.

**WARRANTY: Limited one year parts and labor**



100 NIAN TIC AVENUE; SUITE 104 PROVIDENCE, RI 02907  
 TEL: (401)273-3300 FAX: (401)273-3328 E-mail: sales@equipex.com  
 www.equipex.com