



Operation Manual
For
Sodir
HOT-200, -300 and HOT-200L, -300L



765 Westminster Street • Providence, Rhode Island 02903 • U.S.A.
Tel: (401) 273-3300 Fax: (401) 273-3328
www.equipex.com e-mail: service@equipex.com





IMPORTANT SAFEGUARDS

When using electrical appliances, basic safety precautions should always be followed, including the following:

1. Read all the instructions before use.
2. Do not touch hot surfaces; use handles or knobs.
3. To avoid electric shock, **do not immerse the power cord, or any part of the unit**, in any liquid.
4. Close supervision is necessary when any appliance is used, especially around children.
5. Unplug appliance from the electrical outlet when not in use, and before cleaning. Allow appliance to cool before installing or removing any parts or accessories, and before cleaning.
6. Do not operate any appliance with a damaged cord or plug, or if appliance should sustain damage, or malfunction in any way. In this event, return appliance to the nearest authorized service facility for examination, repair or adjustment.
7. The use of accessories and/or attachments not recommended by the appliance manufacturer may cause injury or damage to the appliance, and may void your warranty.
8. Do not use outdoors.
9. Do not allow the power cord to hang over the edge of a table or counter, or to be exposed to hot surfaces, as damage may occur.
10. Do not place appliance on or near a burner, or in a heated oven.
11. To disconnect an appliance, **first** turn all controls to the 'off' position; *then* unplug the power cord from the wall outlet.
12. Do not use appliance other than for its intended use.
13. SAVE THESE INSTRUCTIONS FOR LATER USE!

INTRODUCTION

The **SODIR** models HOT-200, HOT-300 and HOT-200L, HOT-300L low profile countertop heated display cases are designed to offer quality holding and merchandising of heated food. The displays are constructed of food service quality stainless steel for commercial applications, and safety glass. The units are equipped with a sheathed circular heating element, convection fan motor, regulating thermostat and power switches for the light and heat. There is an internal display light in the holding chamber, and 'L' models have a back-light front panel display. All models have a removable water tray for humidity control. The units are thermostatically controlled up to 200° F.

Specifications:

Model Configuration	Electrical	Plug
HOT Series	120V, 1 PH, 1.5KW, 13A	NEMA-5-15P

INSTALLATION

The **SODIR** heated display case needs to be connected to a grounded 120V outlet. DO NOT place the unit in a damp area or near steam sources. Do not block ventilation holes.

ASSEMBLY

The SODIR display comes from the factory partially assembled. Prior to operation, please remove the tie-wraps from the shelf, and install the rear doors by inserting the top of one door, with the handle facing the outer edge, into the top inner track, push it upwards and then lower it into the bottom inner track. Repeat with the outside door placing it into the outer track. It is shipped with plastic exterior protective film, which must be removed before operation. DO NOT operate the display prior to removing the protective film completely. The unit should be cleaned using a soft cloth dampened with a solution of soap and water, prior to first operation. Be sure not to drip any water into the base, or ventilation cutouts.

OPERATION

Preheating

If humidity is desired, fill the water tray, taking care not to spill water into the unit. To preheat the display after cleaning and assembly, make sure all glass is in place and closed, flip the power switch to the 'on' position, and rotate the thermostat to the desired heat setting. The heater and fan will begin to operate. The units require approximately 20 minutes to properly preheat.

Holding

To operate the display after preheating, rotate the thermostat knob clockwise to the desired heat setting if not already set. If the internal light (and front panel light on 'L' models) is desired, turn the light switch, next to the power switch, to the 'on' position.

The SODIR displays can be used for a wide variety of foods. Holding temperature and times will vary depending on food product temperature and type, desired results and health code requirements. Food should always be heated to proper holding temperature before placing into the display.

Cleaning

WARNING: Disconnect (unplug) electrical power supply before cleaning

Cleaning is very important in maintaining a safe and well working machine. Allow the display to cool and disconnect it from power before cleaning. If desired, the front and rear glass, wire shelf and bottom cover may be removed for cleaning using a damp cloth or sponge and mild liquid soap. Use a cloth dampened slightly with a soap and water mixture to clean all exterior and interior stainless steel and glass surfaces. Use a clean lint-free cloth to remove the excess water or soap. Make sure no water enters the unit through ventilation holes. Do not forget to empty and wash the internal crumb tray accessible through the bottom panel cover opposite the water tray. This should be replaced with its flat side up against the side wall.

DO NOT use an abrasive sponge on exterior or interior surfaces

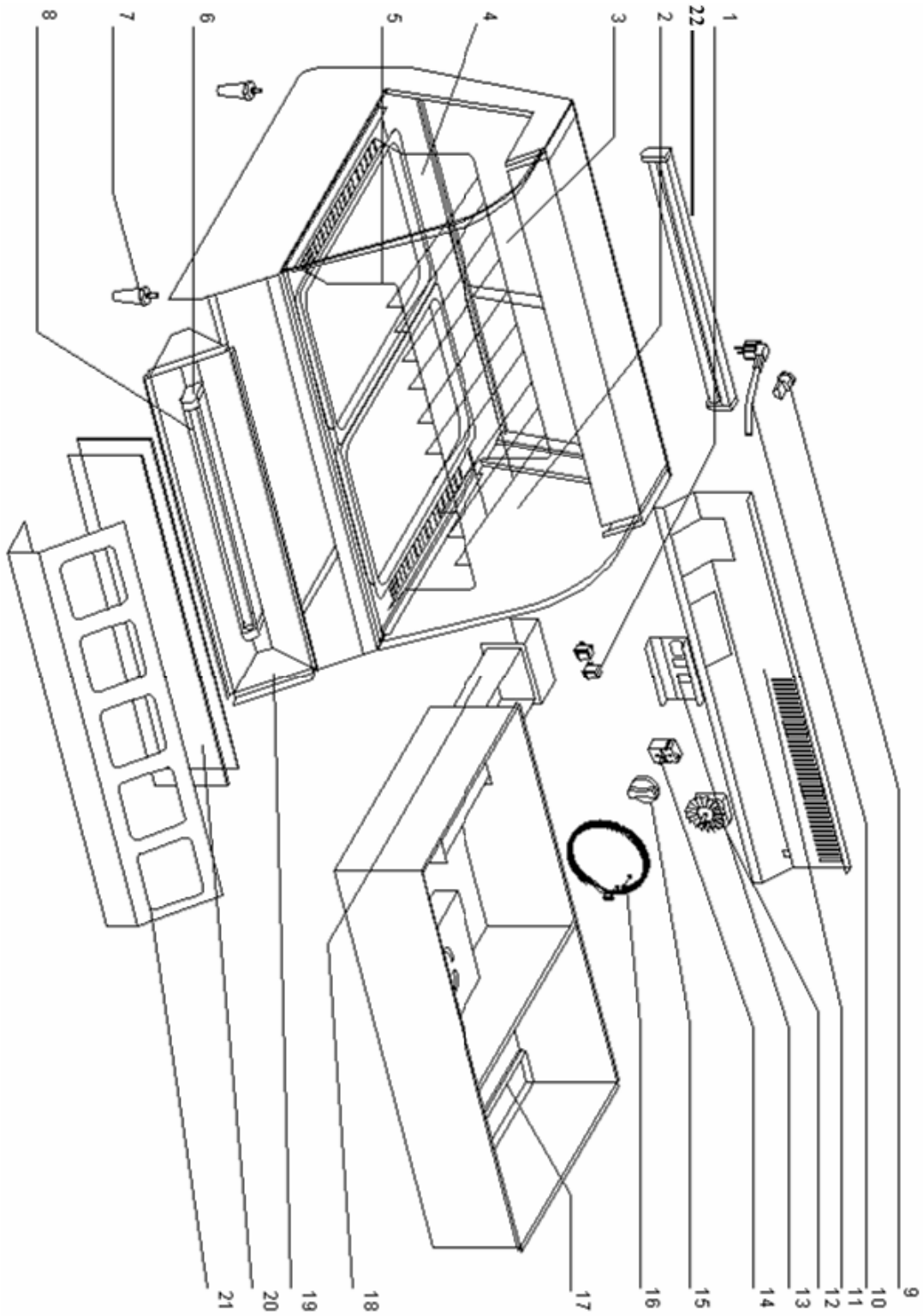
DO NOT wash the display under running water

DO NOT allow water to drip into the motor housing or onto electrical components

Maintenance

You should inspect all parts on a regular basis to ensure that all is in proper working order. If a part is damaged, have the unit repaired by an authorized service agency prior to returning the unit to operation. If you have trouble locating a service agency in your area, please consult our website at <http://www.equipex.com/>, or call us at 1-800-649-7885 and ask for customer service.

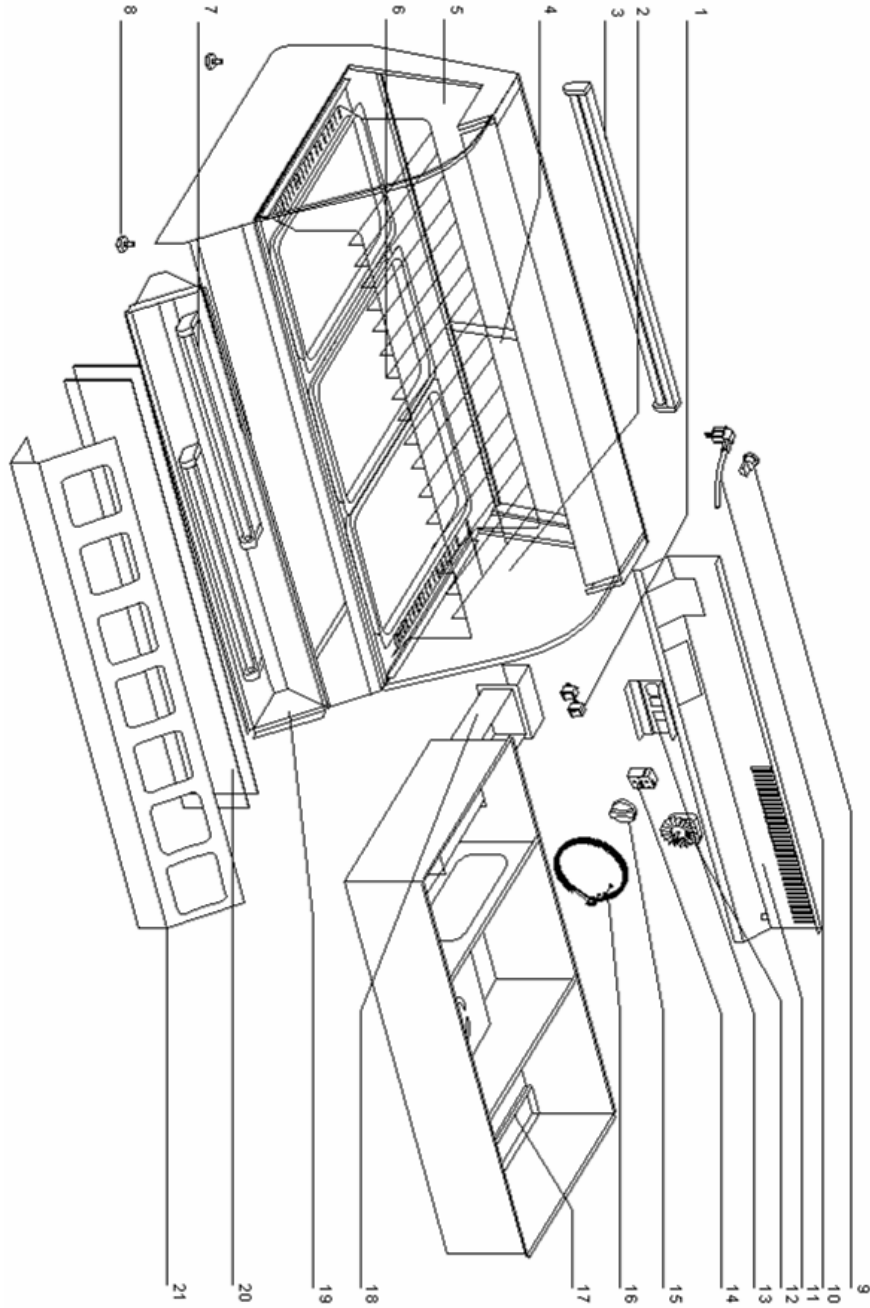
Spare Parts H0T-200, -200L



Spare Parts HOT-200, -200L

DWG#	Part Number	Qty	Description
1	A07025	2	Switch
2	H01063	1	Curved glass
3	H01062	2	Sliding back glass
4	H01061	2	Side glass
5	SF01042	1	Grid
6 and 8	A18025	2	Light fixture and fluorescent tube
7	A13012	4	Foot
9	A10001	1	Cord closer
10	OEM0011	1	Cord with plug
11	74151	1	Back cover
12	A03052	1	Motor + fan
13	74128	1	Front panel
14	A06018	1	Thermostat
15	A14084	1	Knob
16	D02035	1	Heating element
17	74150	1	Drip tray
18	74126SE	1	Water tray
19	74122	1	Lamp holder
20	SH01077	2	Plexiglass
21	74112	1	Front casing
22	SA18035	1	LED Light
Not Shown	SA03093	1	LED Power Adapter
Not Shown	SA03080	1	LED Terminal Block

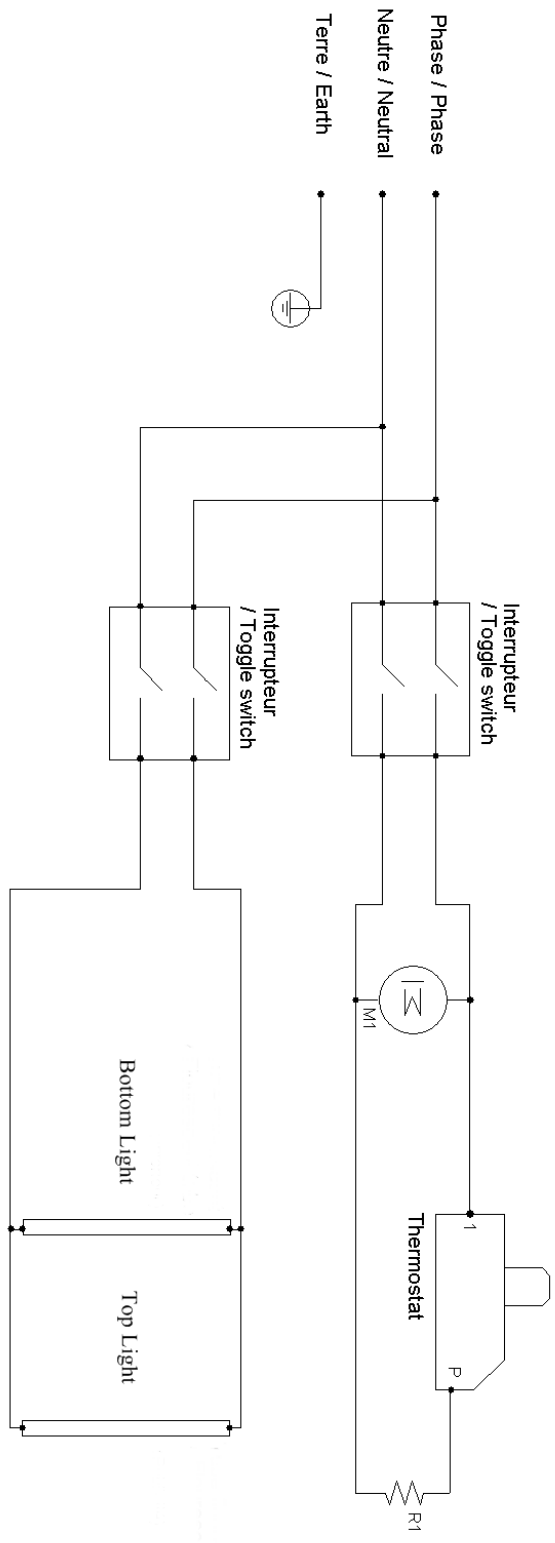
Spare Parts HOT-300, -300L



Spare Parts HOT-300, -300L

DWG#	Part Number	Qty	Description
1	A07025	2	Switch
2	SH01079	1	Curved glass
3	SA18035	1	LED Light
Not Shown	SA03093	1	LED Power Adapter
Not Shown	SA03080	1	LED Terminal Block
4	SH01080	2	Sliding back glass
5	H01061	2	Side glass
6	SF01043	1	Grid
7	A18025	2	Setting stick + fluorescent tube
8	A13012	4	Foot
9	A10001	1	Cord closer
10	OEM0011	1	Cord with plug
11	74177	1	Back cover
12	A03052	1	Motor + fan
13	74173	1	Front panel
14	A06018	1	Thermostat
15	A14084	1	Knob
16	D02035	1	Heating element
17	74150	1	Drip tray
18	74126SE	1	Water tray
19	74172	1	Lamp holder
20	SH01082	2	Plexiglass
21	74170	1	Front casing

1	2	3	4	5	6	7	8	9	10	11	12	13	14
---	---	---	---	---	---	---	---	---	----	----	----	----	----



Modifications		Date	Norm	Description
Date	Nom			HOT-200 -300
16/05/2007	A. David			
Référence câblage				



LIMITED WARRANTY

Your new **EQUIPEX** product is warranted to the original purchaser for a period of one year from the date of purchase.

This limited warranty is against defects from original factory imperfections in material and/or workmanship and includes labor for replacement of defective parts, provided repairs are performed by an authorized service agency. Our obligation under this warranty is limited to repairing or replacing any part or parts thereof. The CUSTOMER must inform the Service Agency of warranty coverage and provide a copy of the dated sales or delivery receipt BEFORE WARRANTY REPAIRS BEGIN. Replacement parts and accessories are warranted for ninety (90) days from the date of purchase when purchased separately and will be verified by dated sales receipt or packing slip for that item. All parts or accessories replaced under warranty must be returned to the Service Agency.

This warranty applies only to equipment under normal use and service in the U.S.A. and Canada. It does not apply to any item which has been repaired or altered in any way so as, in the judgment of EQUIPEX, to affect its reliability.

THE FOLLOWING ARE NOT COVERED UNDER WARRANTY:

1. Damage caused by abuse, misuse or dropping or other similar incidental damage caused by, or as a result of, customer failure to follow assembly, operation, cleaning, user maintenance or storage instructions.
2. Labor to replace inoperative parts such as bulbs, plugs or racks due to normal wear and tear or abuse.
3. Materials or labor to repair scratched, stained, chipped, pitted, dented or discolored surfaces, attachments or accessories.
4. Transportation charges to or from a service agency for repair of your machine. If you should have questions relating to this issue, please call **Equipex** at 1-800-649-7885.
5. Labor charges to install or test attachments or accessories, which are replaced for any reason.
6. SHIPPING DAMAGES. Visible and hidden damages are the responsibility of the freight carrier. The consignee must file the claim promptly against the carrier. KEEP ALL ORIGINAL CONTAINERS AND PACKAGING MATERIAL FOR CARRIER INSPECTION.
7. Products placed or stored in the equipment are not subject to this warranty and no responsibility is assumed thereof.

THIS WARRANTY IS GIVEN EXPRESSLY AND IN LIEU OF ALL OTHER WARRANTIES, EXPRESSED OR IMPLIED, FOR MERCHANTABILITY AND FOR FITNESS TOWARD A PARTICULAR PURPOSE AND CONSTITUTES THE ONLY WARRANTY MADE BY EQUIPEX, LLC. IT NEITHER ASSUMES, NOR AUTHORIZES ANY PERSON TO ASSUME FOR US, ANY OTHER LIABILITY IN CONNECTION WITH THE SALE OF THE SUBJECT EQUIPMENT.

For service, please call **EQUIPEX** at 1-800-649-7885, menu option # 3

765 Westminster Street • Providence, Rhode Island 02903 • U.S.A.
Tel: (401) 273-3300 Fax: (401) 273-3328
www.equipex.com e-mail: service@equipex.com