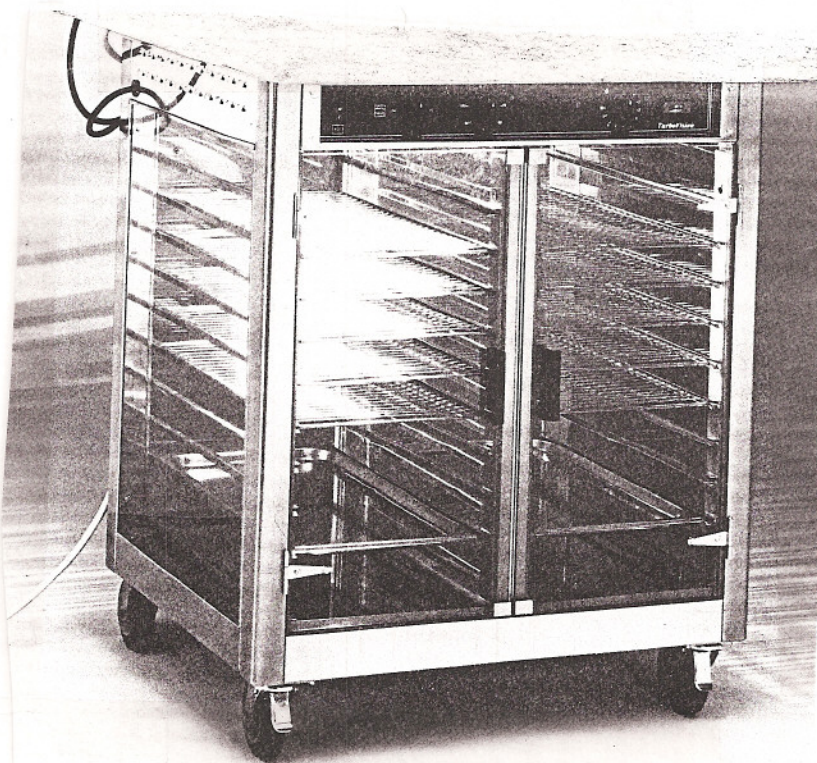




OPERATION MANUAL
FOR
SODIR
WARMING CABINETS

MODEL RE-2



765 Westminster Street • Providence, Rhode Island 02903 • U.S.A.

Tel: (401) 273-3300 Fax: (401) 273-3328

www.equipex.com e-mail: sales@equipex.com

IMPORTANT SAFEGUARDS

When using electrical appliances, basic safety precautions should always be followed, including the following:

1. Read **all** the instructions.
2. Do not touch hot surfaces. Use handles and knobs.
3. To avoid electrical shock, do not immerse the power cord, plug, or connection box in water or other liquid.
4. Close supervision is necessary when any appliance is used or near children.
5. Unplug from outlet when not in use **and** before cleaning. **Allow to cool** before putting on or taking off parts, and before cleaning the appliance.
6. Do not operate any appliance with a damaged cord or plug or after the appliance malfunctions, or has been damaged in any manner. Return appliance to the nearest authorized service facility for examination, repair, or adjustment.
7. The use of accessory attachments not recommended by the appliance manufacturer may cause injury.
8. Do not use outdoors.
9. Do not allow cord to hang over edge of table or counter, or to touch hot surfaces.
10. Do not place on or near a hot gas or electric burner, or in a heated oven.
11. Extreme caution must be used when moving an appliance containing hot oil.
12. To disconnect, **turn any control to "OFF"** then remove plug from the wall outlet.
13. Do not use appliance for other than its intended use.
14. SAVE THESE INSTRUCTIONS

INTRODUCTION

The **SODIR** Model RE-2 is a dual service warming cabinet designed to offer quality reheating and holding of cooked products. The units are constructed of food quality stainless steel and tinted tempered (safety) glass and feature a top mounted sheathed heating element and blower fan assembly. The warming cabinet is thermostatically controlled up to 200 F and is equipped with a 120-minute timer. The unit is furnished with an ON/OFF switch, a rotary switch and a red indicator light. The warmer comes with a set of ten wire racks and two removable drip trays. The unit is also equipped with a fluorescent lamp that is mounted to the top of the warming chamber.

Specifications

Model	Electrical	Plug Configuration
RE-2	208/240V, 1PH, 2.5KW, 10/12A	NEMA-6-15P

INSTALLATION

The **SODIR** warming cabinet needs to be connected to a grounded outlet of proper voltage (208/240V, 1PH). **DO NOT** place the unit in a damp area or near steam sources. The unit is shipped completely assembled from the factory, however, cleaning is recommended before use.

WARNING: Disconnect (unplug) electrical power supply before cleaning

OPERATION

The easy to use control panel consists of a lighted ON/OFF switch, a red indicator light, a 4-position ON/OFF rotary switch (controls the heating element and blower fan assembly), a 120-minute timer, a regulating thermostat (1 to 10 power levels) and a temperature indicator.

With the unit cleaned, simply place the product into the catch pans or place it directly on the racks. Close the doors, set the ON/OFF switch to ON position, turn the rotary switch to one of the two ON positions available, turn the thermostat knob to the desired power position in order to achieve desired temperature (position "8", for instance, corresponds to approximately 170 F holding temperature) and then set the timer. After cooking is completed, reverse the procedure to turn the warmer off and unload the product.

Note: Check the temperature indicator on occasion to see if more or less heat is required.

Note: Also, we recommend keeping the drip trays in the bottom of the warming cabinet filled slightly with water to help moisten the product and make the clean up easier.

CLEANING

WARNING: Disconnect (unplug) electrical power supply before cleaning

CAUTION: Allow the glass doors to cool before cleaning. Do not spray hot glass with cold liquid

CAUTION: Do not spray heating element/blower fan assembly with any liquid

Cleaning is very important in maintaining a safe and well working rotisserie. Allow the unit to cool before cleaning. The bottom drip trays, the wire racks and four vertical racks are removable for cleaning. Upon removing, clean them separately using a damp cloth or sponge and mild cleaning liquid soap. If needed, use scouring pad on the wire racks. The exterior and interior of the housing should be cleaned with a cloth dampened lightly with a soap and water mixture. Use a clean lint-free cloth to remove the excess water or soap.

DO NOT spray the housing with any liquid

DO NOT allow water to drip into the housing around the electrical components

DO NOT wash oven under running water

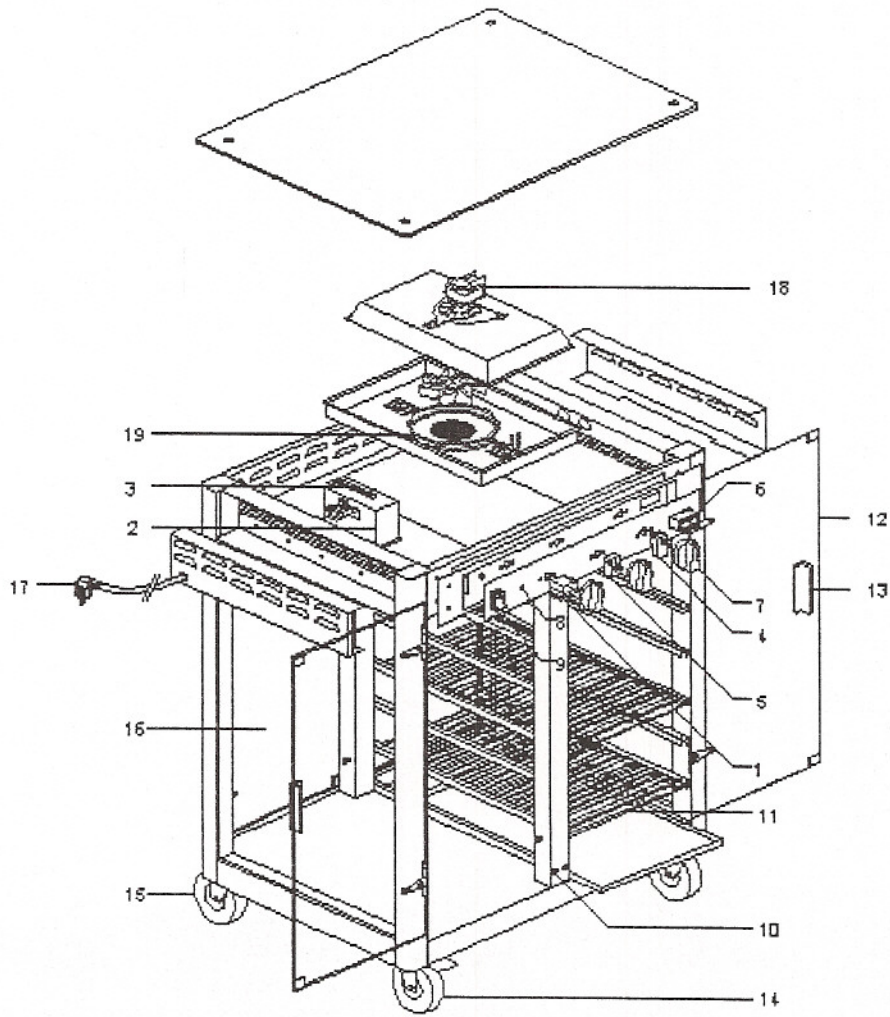
DO NOT use an abrasive sponge on exterior or interior surfaces

Inspect all parts on a regular basis to ensure that all parts are in good working order. If a part is damaged, have the unit repaired by an authorized service agency prior to returning the unit to operation. If you have trouble locating a service agency in your area, call

EQUIPEX, LTD. at 1-800-649-7885 and ask for customer service.

EQUIPEX, LTD.			14-Sep-00	SPROT-02-03
765 Westminster Street, Providence, RI 02903				
tel: (401) 273-3300		fax: (401) 273-3328		Toll free: 1-800-649-7885
SODIR Model RE-2 Warming Cabinet (208-240V/60/1 Phase)				
Drawing #	Part Number	Quantity	Description	Old Part Number
1	A01008	1	Rotary Switch	P-S101008
2	A16003	1	Terminal Block	P-S116003
3	A18003	1	Halogen Lamp	P-S118008
4	A02010	1	Timer	P-S102010
5	A06002	1	Regulating Thermostat	P-S106002
6	A18010	1	Thermometer	P-S118010
7	A14078	3	Knob, Thermostat	P-S114078
8	A08008	1	Red Pilot light, 220V	P-S108015
9	A07030	1	Switch, On/Off	P-S107001
10	B09003	8	Magnetic Assembly	P-S209003
11	F01034	5	Wire Shelf	P-S601034
12	H01013	4	Glass Door	P-S801013
13	A15020/1	4	Door Handle	P-S115020
14	F08014	2	Caster with Brake	P-S608014
15	F08013	2	Caster without Brake	P-S608013
16	H01014	2	Side Glass	P-S801014
17	OEM0012	1	Power Cord (no plug)	P-S303007
18	A03006	1	Fan Motor, 220V	P-S103006
19	D02043RE	1	Heating Element, 220V	P-S402043

SODIR WARMING CABINET



MODEL RE-2



LIMITED WARRANTY

Your new EQUIPEX product is warranted to the original purchaser for a period of one year from the date of purchase.

This limited warranty is against defects from original factory imperfections in material and/or workmanship and includes labor for replacement of defective parts, provided repairs are performed by an authorized service agency. Our obligation under this warranty is limited to repairing or replacing any part or parts thereof. The CUSTOMER must inform the Service Agency of warranty coverage and provide a copy of the dated sales or delivery receipt BEFORE WARRANTY REPAIRS BEGIN. Replacement parts and accessories are warranted for ninety (90) days from the date of purchase when purchased separately and will be verified by dated sales receipt or packing slip for that item. All parts or accessories replaced under warranty must be returned to the Service Agency.

This warranty applies only to equipment under normal use and service in the U.S.A. and Canada. It does not apply to any item which has been repaired or altered in any way so as, in the judgement of EQUIPEX, to affect its reliability.

THE FOLLOWING ARE NOT COVERED UNDER WARRANTY:

1. Damage caused by abuse, misuse, dropping or other similar incidental damage caused by or as a result of customer failure to follow assembly, operating, cleaning, user maintenance or storage instructions.
2. Labor to replace inoperative parts such as bulbs, plugs or racks due to normal use or abuse.
3. Materials or labor to repair scratched, stained, chipped, pitted, dented or discolored surfaces, attachments or accessories.
4. Transportation charges to or from a service agency for repair of your machine. If you should have questions relating to this issue, please call the factory at 1-800-649-7885.
5. Labor charges to install or test attachments or accessories, which are replaced for any reason.
6. SHIPPING DAMAGES. Visible and hidden damages are the responsibility of the freight carrier. The consignee must file the claim promptly against the carrier. KEEP ALL ORIGINAL CONTAINERS AND PACKING MATERIALS FOR CARRIER INSPECTION.
7. Products placed or stored in the equipment are not subject to this warranty and no responsibility is assumed thereof.

THIS WARRANTY IS GIVEN EXPRESSLY AND IN LIEU OF ALL OTHER WARRANTIES, EXPRESSED OR IMPLIED, FOR MERCHANTABILITY AND FOR FITNESS TOWARD A PARTICULAR PURPOSE AND CONSTITUTES THE ONLY WARRANTY MADE BY EQUIPEX, LTD. IT NEITHER ASSUMES, NOR AUTHORIZES ANY PERSON TO ASSUME FOR US, ANY OTHER LIABILITY IN CONNECTION WITH THE SALE OF THE SUBJECT EQUIPMENT.

Please call EQUIPEX for service at 1-800-649-7885

765 Westminster Street • Providence, Rhode Island 02903 • U.S.A.

Tel: (401) 273-3300 Fax: (401) 273-3328

www.equipex.com e-mail: sales@equipex.com