

## MOUNTING SPECIFICATIONS

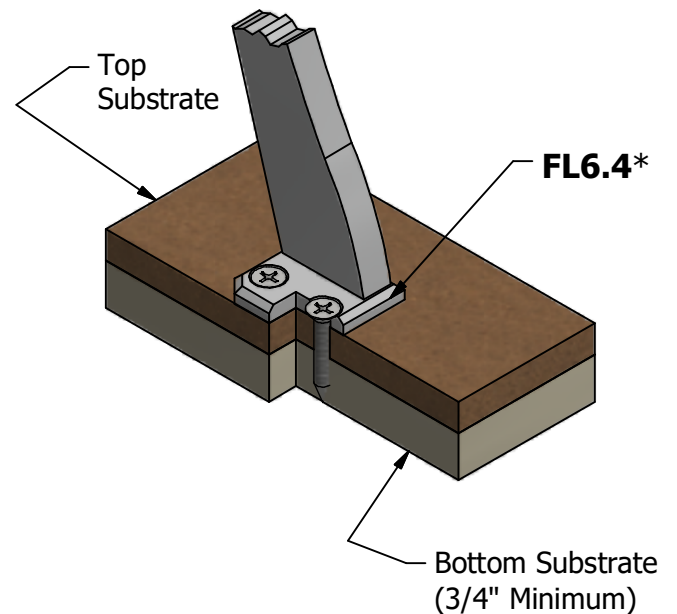
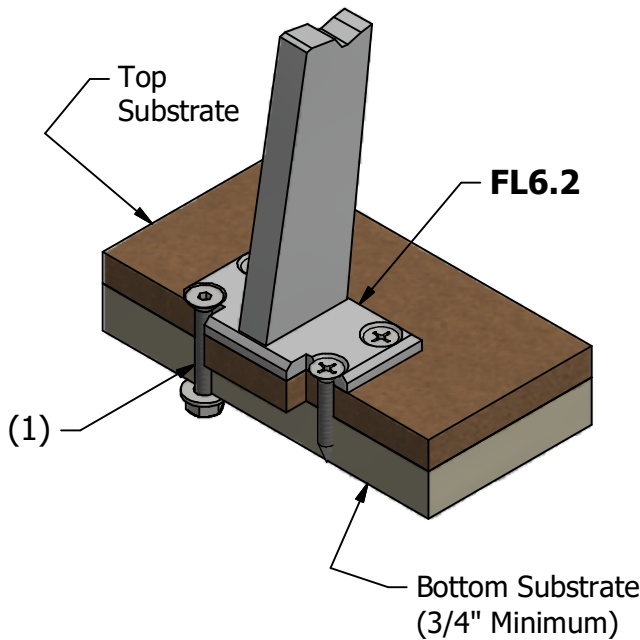
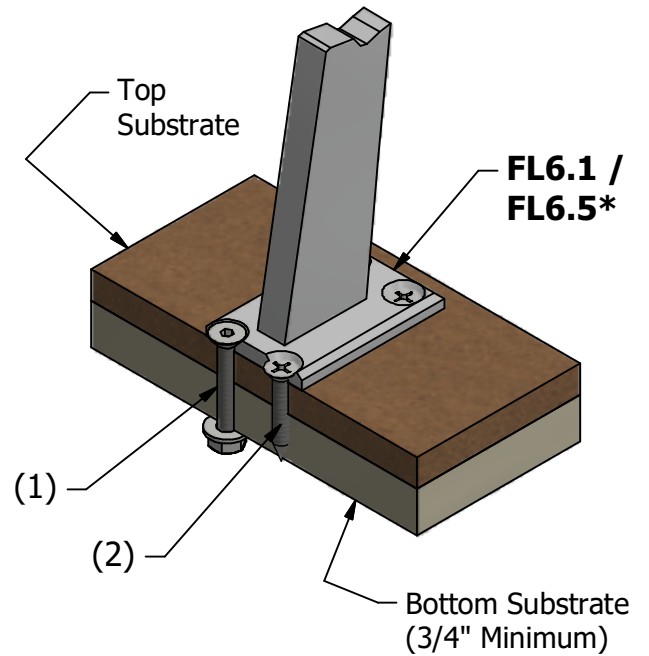
### SURFACE MOUNT HARDWARE FL6.1 / FL6.5\* FL6.2 FL6.4\*

#### APPLICATIONS:

- Solid Surface Material - Corian, Avonite, Etc.
- Granite, Stone or Similar Materials
- Laminated Countertops

#### FASTENER OPTIONS:

- (1) - 1/4"-20 flat head socket screws with flat washer and hex nut
- (2) - Type A thread forming screws #12 or #14 x 1-1/2" or 2" Long



\* FL6.4 For use with End Panel Supports only  
FL6.5 For use with VGG1 Support Frame only

# MOUNTING SPECIFICATIONS

## SURFACE MOUNT HARDWARE FL6.1 / FL6.5\* FL6.2 FL6.4\*

### APPLICATIONS:

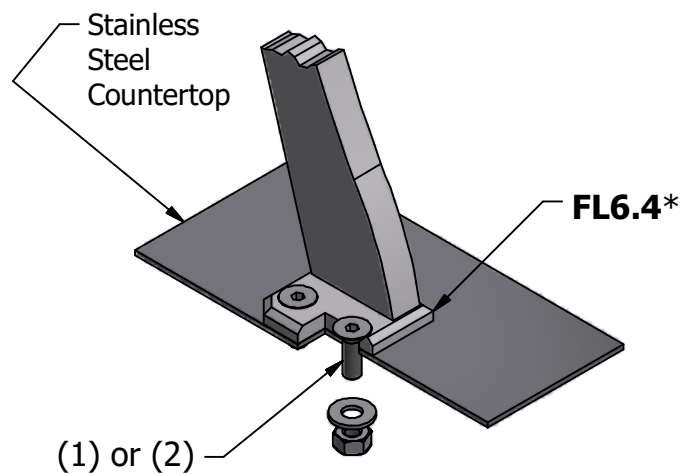
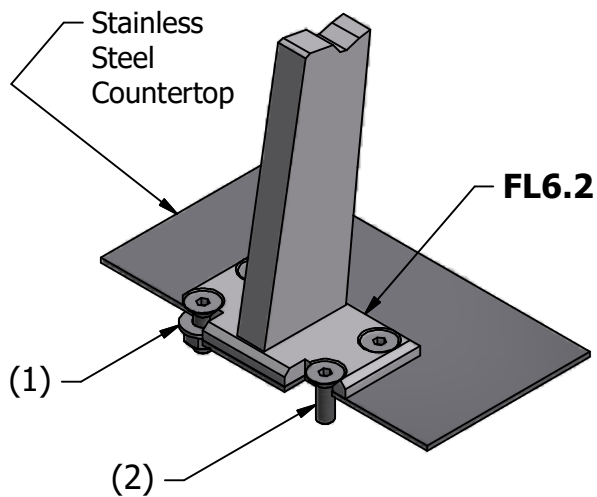
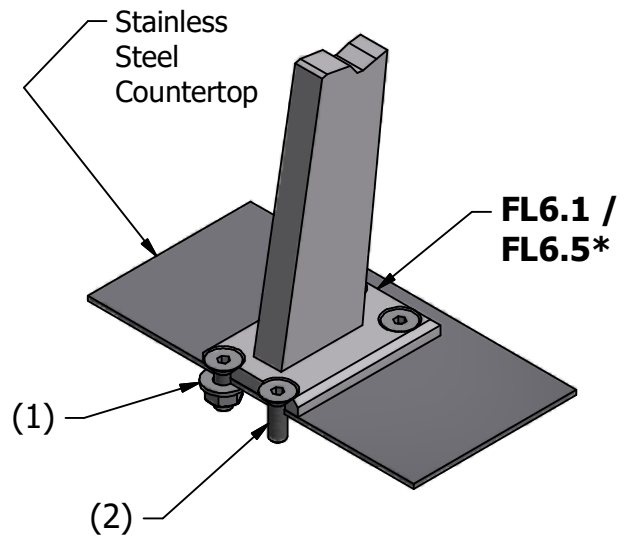
- Stainless Steel Countertops

Stainless steel counters will require bracing below the surface to support the weight of equipment below.

Ensure that support frames are located near bracing.

### FASTENER OPTIONS:

- (1) - 1/4"-20 flat head socket screws with flat washer and hex nut
- (2) - 1/4"-20 drilled and tapped holes in countertop with 1/4"-20 flat head socket screws



\* FL6.4 For use with End Panel Supports only  
FL6.5 For use with VGG1 Support Frame only

# MOUNTING SPECIFICATIONS

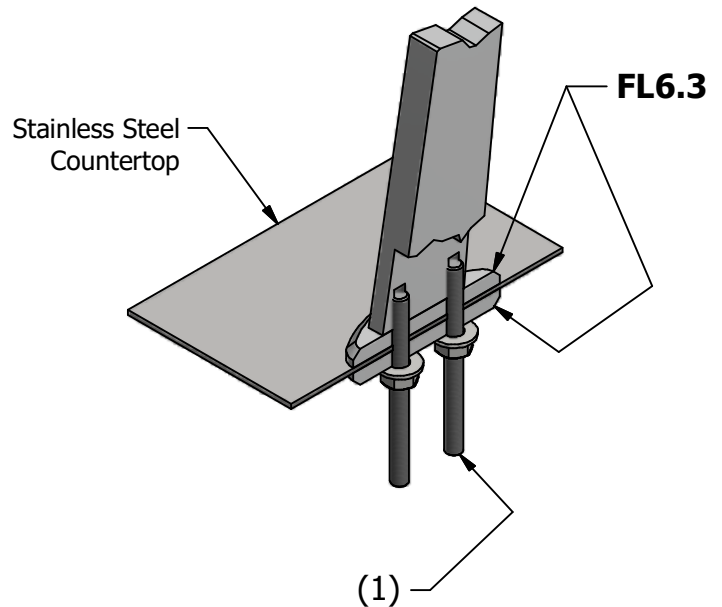
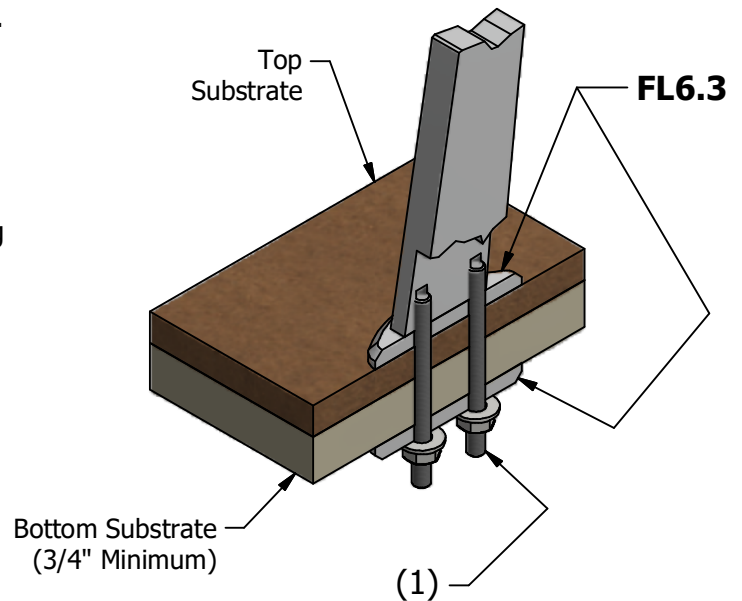
## CONCEALED MOUNT HARDWARE FL6.3

### APPLICATIONS:

- Solid Surface Material - Corian, Avonite, Etc.
- Granite, Stone or Similar Materials
- Laminated Countertops
- Stainless Steel Countertops

Stainless steel counters will require bracing below the surface to support the weight of equipment below.

Ensure that support frames are located near bracing.



### FASTENER OPTIONS:

- (1) - 1/4"-20 Studs with flat washer and hex nut

Can only be used if there is access to mounting location from below counter.