

SpringTM
USA

VERSA-GARD[®]

GARDIAN[®]
SERIES



If it's not a Versa-Gard, it's just a sneezeguard.

Please call Versa-Gard at Spring USA
800-535-8974
info@versa-gard.com

www.versa-gard.com



THE FOOD PROTECTION SPECIALISTS

MODULAR, CONVERTIBLE FOOD PROTECTION SYSTEMS

We firmly believe in the power of customer feedback. We believe building lasting relationships and listening to our customers enables us to truly understand the kinds of products and systems they need. Our commitment to our customers means we only make promises upon which we can deliver.

Our attention to the smallest detail is generated by our **COMMITMENT** to our clients.



ADJUSTABLE FOOD PROTECTORS



FULL SERVICE FOOD PROTECTORS



SELF-SERVICE FOOD PROTECTORS



VERTICAL FOOD PROTECTORS



VGG5F-2T

TWO-TIER SINGLE-SIDED PROTECTOR



VGG7

SINGLE-SIDED PROTECTOR WITH INTEGRAL SHELF

VGG1

SLOPED FRONT FULL SERVICE PROTECTOR



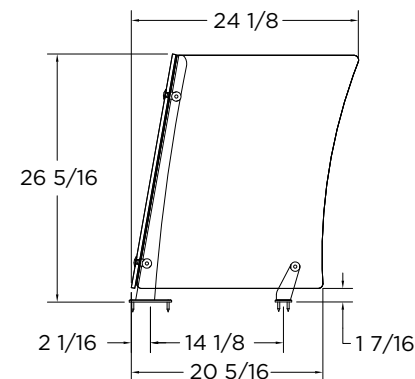
VGG5

SINGLE-SIDED PROTECTOR



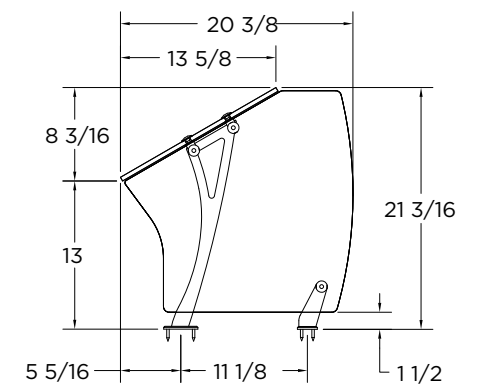
Model Features

- For Cafeteria Counters and Cooking and/or Carving Station Operations
- Available with 6" Pass-Through Opening
- Up to 60" Centerline Span Between Front Supports
- 1/2" Thick, Solid, Precision-machined Supports 6061-T6 Aluminum
- 3/8" Clear Tempered Glass Front Panel
- 1/4" Clear Tempered Glass End Panels



Model Features

- For Self-service Applications
- Up to 66" Centerline Span Between Supports
- 1/2" Thick, Solid, Precision-machined Supports 6061-T6 Aluminum
- 3/8" (standard), or 1/2" Clear Tempered Glass Front Panel
- 1/4" Clear Tempered Glass End Panels
- Available with LED Lights



VGG5F

SINGLE-SIDED SELF-SERVICE PROTECTOR



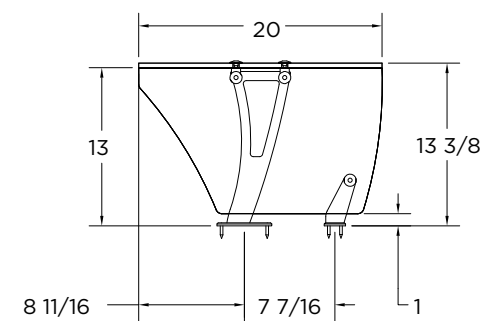
VGG5F-DS

DOUBLE-SIDED SELF-SERVICE PROTECTOR



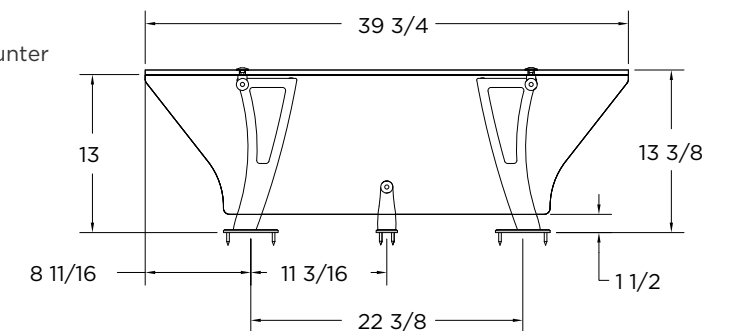
Model Features

- For Self-service Applications
- Up to 66" Centerline Span Between Supports
- 1/2" Thick, Solid, Precision-machined Supports 6061-T6 Aluminum
- 3/8"(standard), or 1/2" Clear Tempered Glass Top Panel
- 1/4" Clear Tempered Glass End Panels
- Available with LED Lights and/or Food Warmers



Model Features

- For Self-service applications with access from both sides of the counter
- Top Shelf can be utilized for Display
- Up to 66" Centerline Span Between Supports
- 1/2" Thick, Solid, Precision-machined Supports 6061-T6 Aluminum
- 3/8"(standard), or 1/2" Clear Tempered Glass Top Panels
- 1/4" Clear Tempered Glass End Panels
- Available with LED Lights and/or Food Warmers



VGG5F-2T

TWO-TIER SINGLE-SIDED PROTECTOR



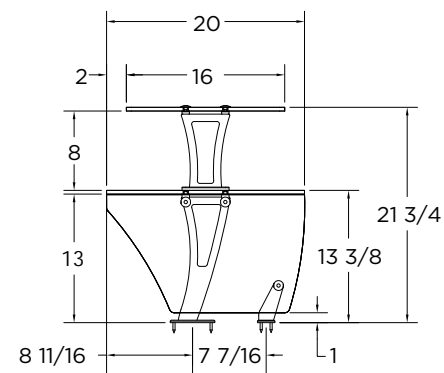
VGG6

SLOPED FULL SERVICE PROTECTOR WITH 14" SHELF



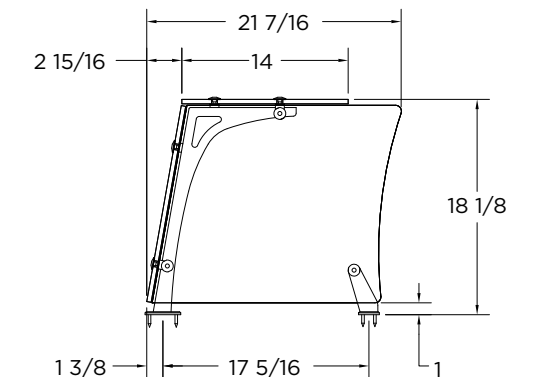
Model Features

- For Self-service Applications with Access from Both Sides of the Counter
- Upper Tier for Wrapped or Pre-packaged Goods (Per NSF/ANSI 2)
- Up to 66" Centerline Span Between Supports
- 1/2" Thick, Solid, Precision-machined Supports 6061-T6 Aluminum
- 3/8"(standard), or 1/2" Clear Tempered Glass Top Panels
- 1/4" Clear Tempered Glass End Panels
- Available with LED Lights and/or Food Warmers



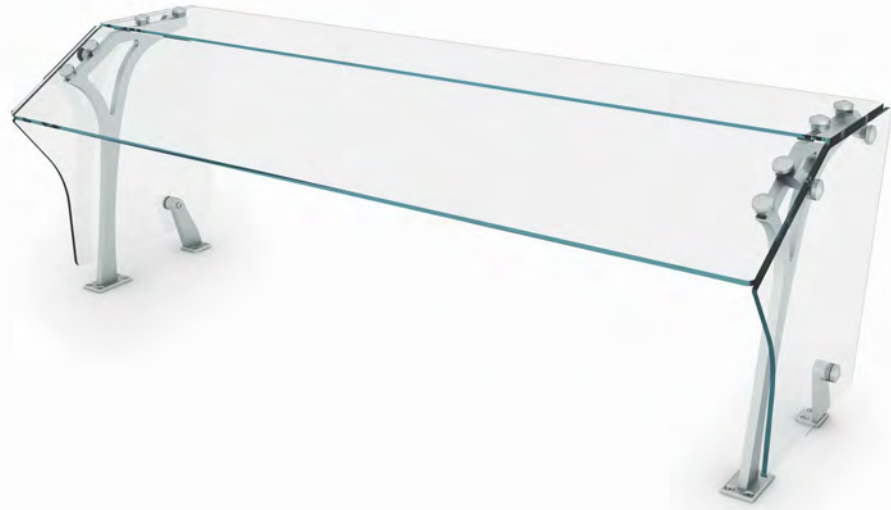
Model Features

- For Full-service Applications
- Up to 66" Centerline Span Between Supports
- 1/2" Thick, Solid, Precision-machined Supports 6061-T6 Aluminum
- 3/8"(standard), or 1/2" Clear Tempered Glass Front Panel
- 3/8"(standard), or 1/2" Clear Tempered Glass Top Shelf Panel
- 1/4" Clear Tempered Glass End Panels
- Available with LED Lights and/or Food Warmers



VGG7

SINGLE-SIDED PROTECTOR WITH INTEGRAL SHELF



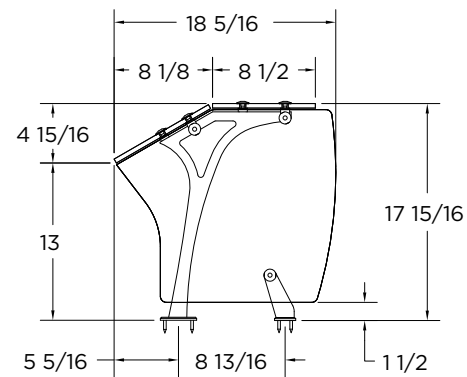
VGG7-DS

DOUBLE-SIDED SELF-SERVICE PROTECTOR



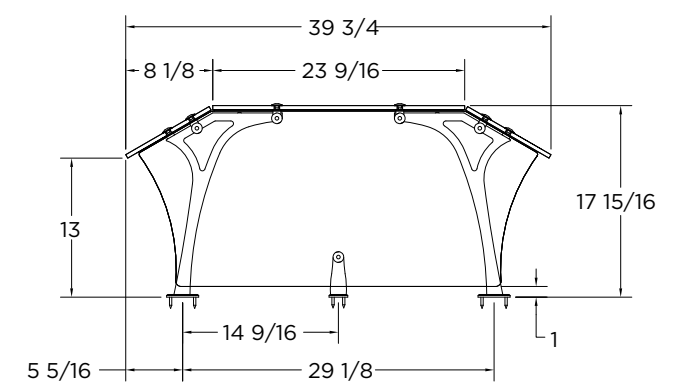
Model Features

- For Self-service Applications
- Up to 66" Centerline Span Between Supports
- 1/2" Thick, Solid, Precision-machined Supports 6061-T6 Aluminum
- 3/8"(standard), or 1/2" Clear Tempered Glass Front Panel
- 3/8"(standard), or 1/2" Clear Tempered Glass Top Shelf Panel
- 1/4" Clear Tempered Glass End Panels
- Available with LED Lights and/or Food Warmers



Model Features

- For Double-sided Self-service Applications
- Top Shelf for Display and Additional Protection
- Up to 66" Centerline Span Between Supports
- 1/2" Thick, Solid, Precision-machined Supports 6061-T6 Aluminum
- 3/8"(standard), or 1/2" Clear Tempered Glass Front Panel
- 3/8"(standard), or 1/2" Clear Tempered Glass Top Shelf Panel
- 1/4" Clear Tempered Glass End Panels
- Available with LED Lights and/or Food Warmers



VGG7-2T

TWO-TIER SINGLE-SIDED PROTECTOR



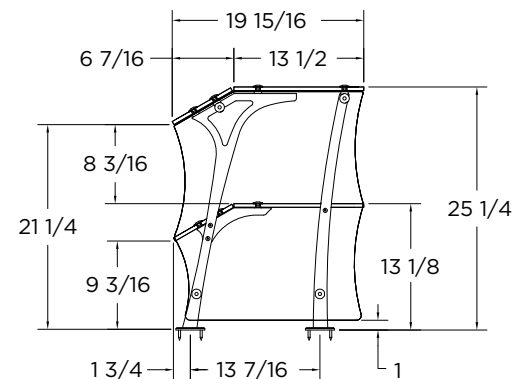
VGG15

ADJUSTABLE PROTECTOR



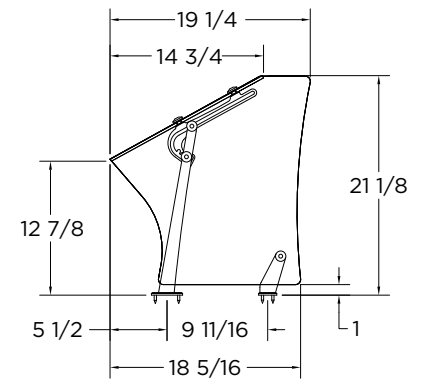
Model Features

- For Self-service Applications with Access from Both Sides of the Counter
- Upper Tier for Wrapped or Pre-packaged Foods Only (Per NSF/ANSI 2)
- Up to 66" Centerline Span Between Supports
- 1/2" Thick, Solid, Precision-machined Supports 6061-T6 Aluminum
- 3/8"(standard), or 1/2" Clear Tempered Glass Front Panel
- 3/8"(standard), or 1/2" Clear Tempered Glass Top Shelf Panel
- 1/4" Clear Tempered Glass End Panels
- Available with LED Lights and/or Food Warmers



Model Features

- For Self-service Applications
- Easily Adjustable in 4 Positions. For Ease of Cleaning and Service Style
- Operator Friendly - Adjusts in seconds - no knobs or fasteners to manipulate
- Up to 48" Centerline Span Between Front Supports
- 1/2" Thick, Solid, Precision-machined Supports 6061-T6 Aluminum
- 1/4" Clear Tempered Glass Front Panel
- 1/4" Clear Tempered Glass End Panels



VGG15-S1

4-POSITION READILY CONVERTIBLE/ADJUSTABLE PROTECTOR



Standard Features

Supports:

- CNC Machined from Solid 6061-T6 Aluminum

Fixed and Adjustable Brackets:

- CNC Machined from 6061-T6 Aluminum

Mounting Hardware:

- CNC Machined from 6061-T6 Aluminum

Adapters, Spacers and all other Components:

- CNC Machined from 6061-T6 Aluminum

1/4", 3/8" and 1/2" Tempered Glass Panels:

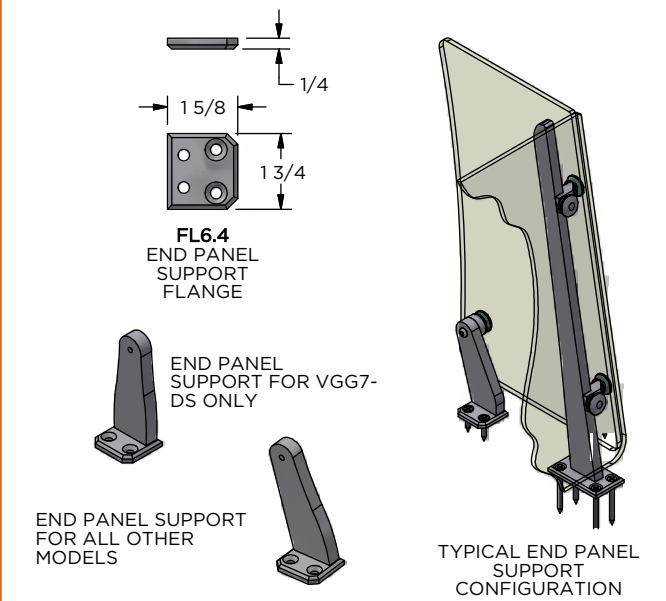
- Manufactured in Strict Conformance with ASTM C1048-04 and tested to ANSI Z97.1 standards.
- All tempered glass panels have radius corners and polished edges and are easily removable / replaceable

Surface Mounting or Concealed Mounting Available

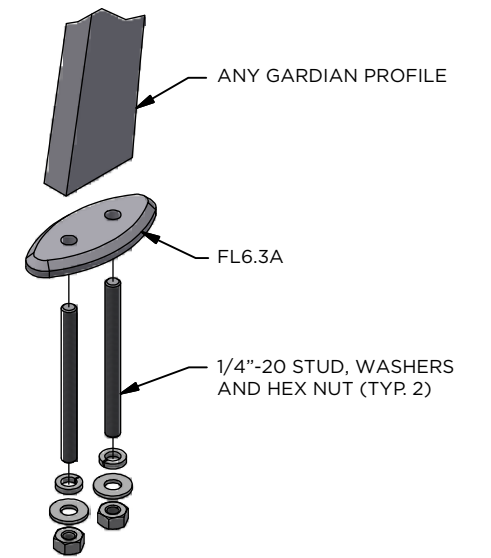


Mounting Style Details

END PANEL SUPPORT MOUNT

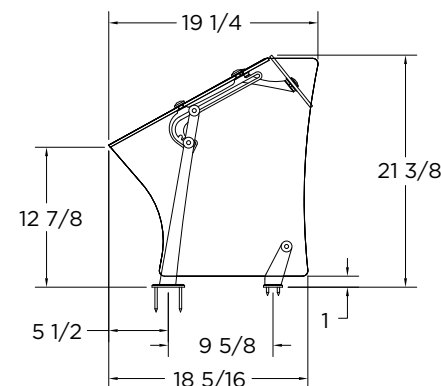


CONCEALED MOUNT ASSEMBLY



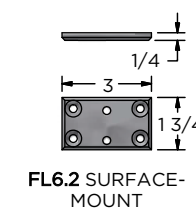
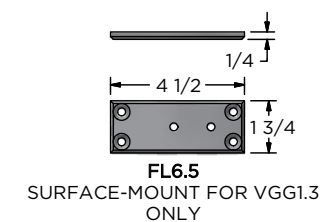
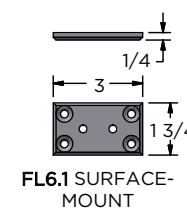
Model Features

- For Full-service or Self-service Applications
- Easily Adjustable in 4 Positions. For Ease of Cleaning and Service Style
- Operator Friendly - Adjusts in seconds - no knobs or fasteners to manipulate
- Up to 48" Centerline Span Between Front Supports
- 1/2" Thick, Solid, Precision-machined Supports 6061-T6 Aluminum
- 1/4" Clear Tempered Glass Front Panel
- 1/4" Clear Tempered Glass End Panel

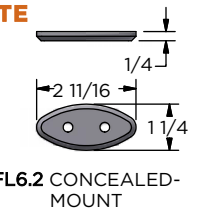


Mounting Plate Details

SURFACE MOUNTING PLATE



CONCEALED MOUNTING PLATE



We are known for
EXCEPTIONAL CUSTOMER SERVICE, QUALITY WORKMANSHIP, MEETING INSANE DEADLINES,

and more than anything else, **DELIVERING OUR PROMISE.**

In short, we do **EXACTLY** what we say we are going to do.



Versa-Gard Advantages

- NSF/ANSI 2 Listed
- 100% CNC machined components
- Proudly designed, finished, and assembled in the USA
- Available with LED lights and/or food warmers
- Easy to install, clean, and maintain
- Easy to disassemble for replacement of parts or add-on components
- Modular design allows for changing of unit style without removal of mounted framework
- One-year limited warranty

VG® EUROPA® SlimLine® EXO® GARDIAN® CAPTUR® freestyle



12/2022

Please call Versa-Gard at Spring USA
800-535-8974
info@versa-gard.com

www.versa-gard.com