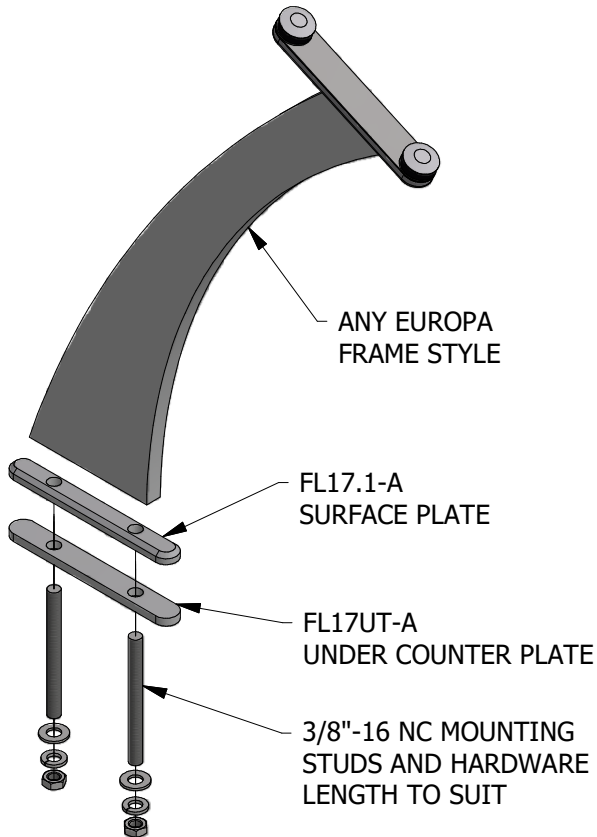
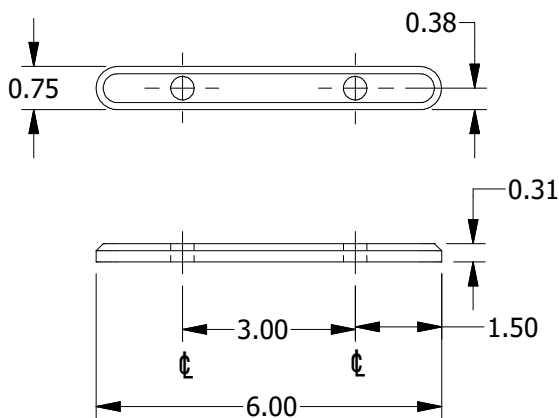


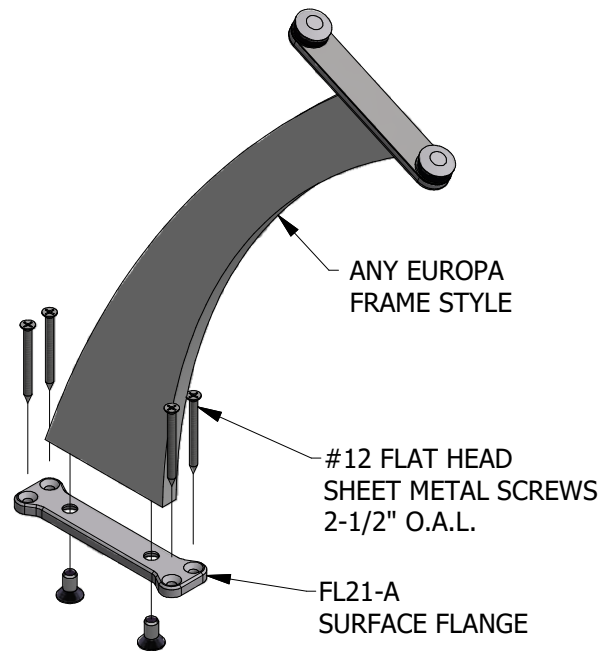
## CONCEALED MOUNT



**FL17.1-A**  
CONCEALED MOUNT PLATE



## SURFACE MOUNT



**FL21-A**  
SURFACE MOUNT PLATE

