

VERSA-GARD®

We make food look better.

www.versa-gard.com



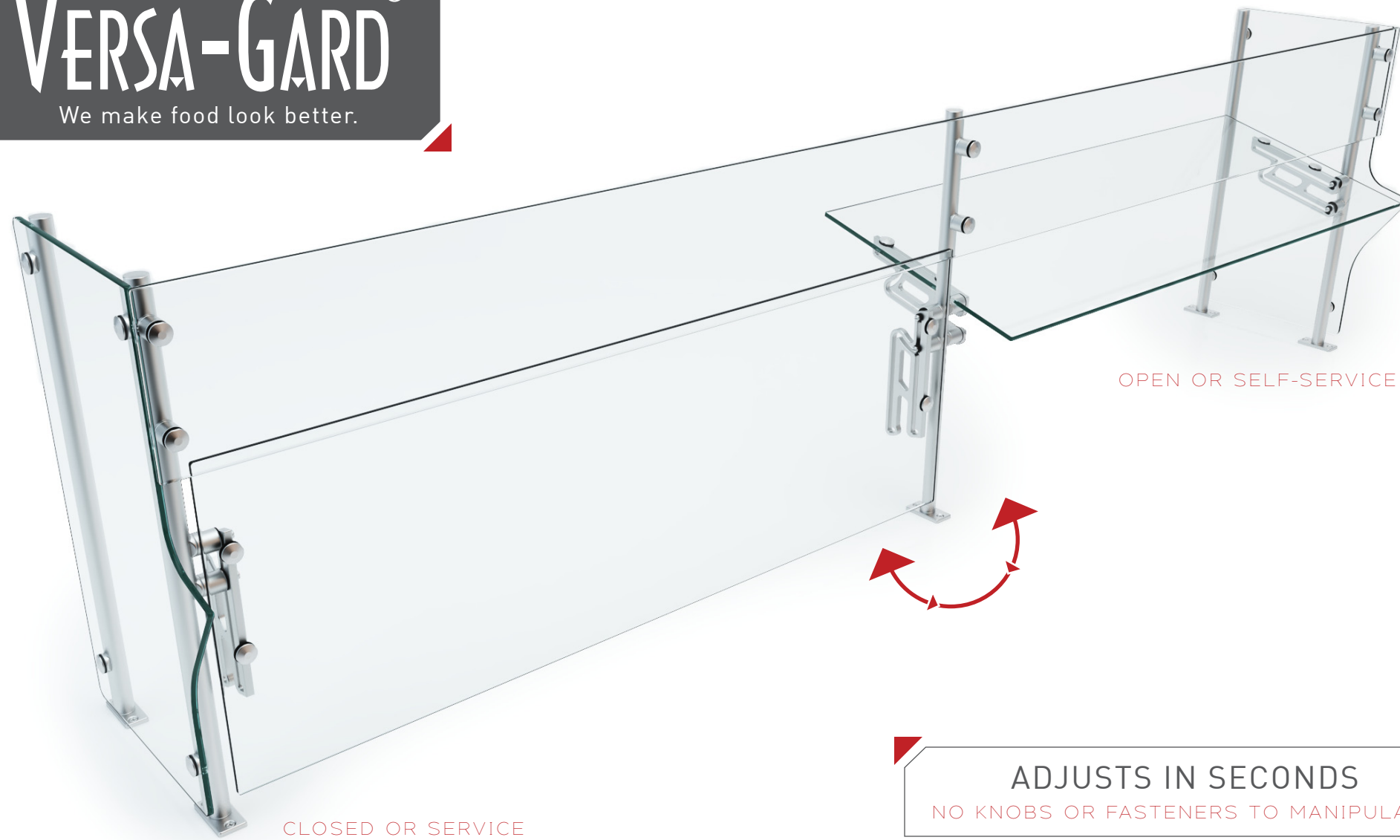
VG[®]21

2-POSITION ADJUSTABLE/CONVERTIBLE VERTICAL FOOD PROTECTOR



VERSA-GARD®

We make food look better.



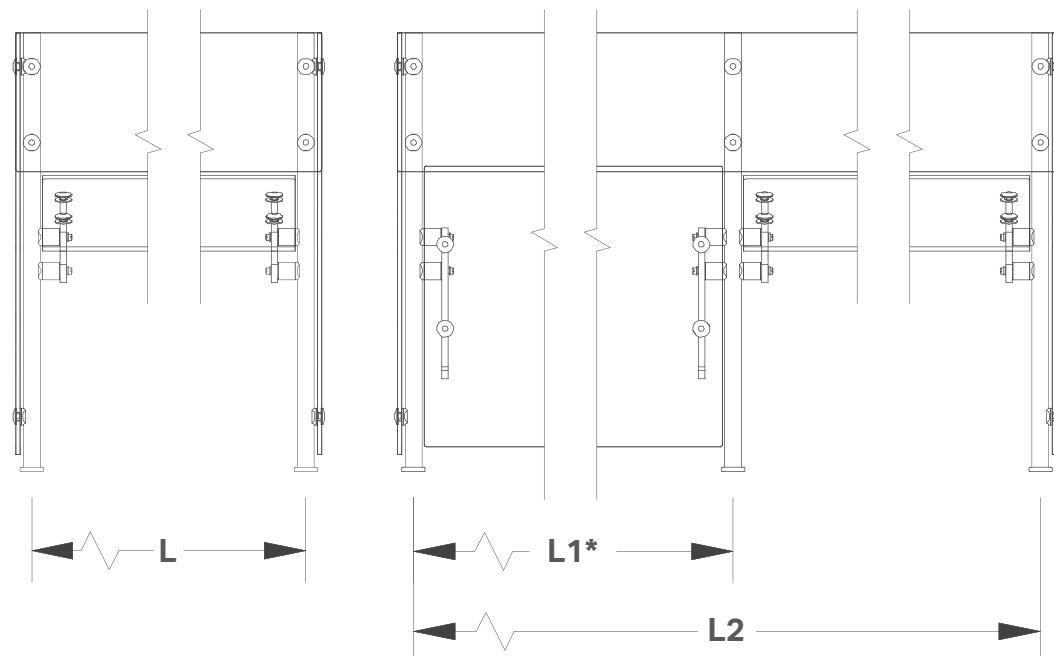
CLOSED OR SERVICE

OPEN OR SELF-SERVICE

ADJUSTS IN SECONDS

NO KNOBS OR FASTENERS TO MANIPULATE

////////////////////CENTERLINE DIMENSIONS

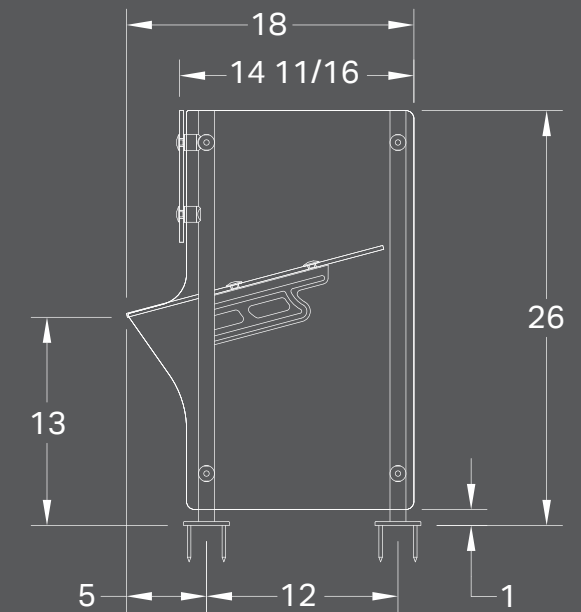


L / L1 = 51 3/4" Max (1/4" Glass Front)
L2 = 103 1/2 Max

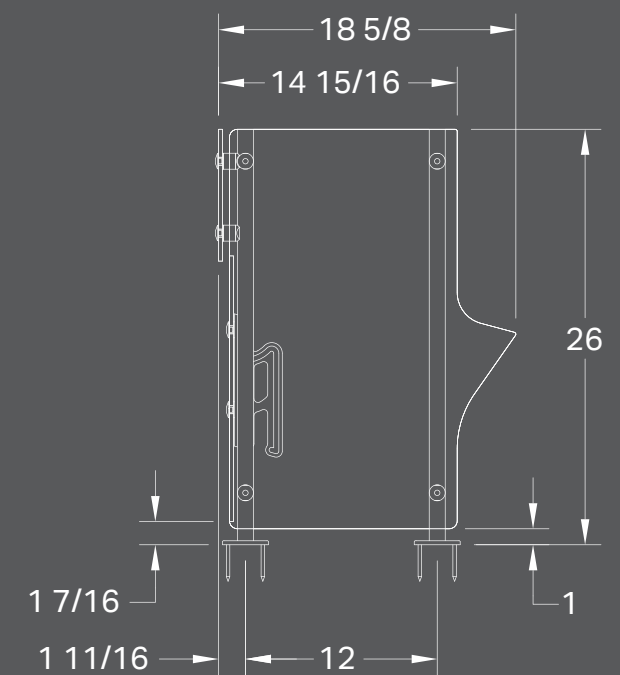
(* - Middle support is centered unless L1 dimension is specified)

VG[®]21

//////////////////// **SIDE ELEVATIONS**



OPEN OR SELF-SERVICE



CLOSED OR SERVICE



OPEN OR SELF-SERVICE //



//////////////////////////////////////CLOSED OR SERVICE



VG21

////////////////////////////////////// **MODEL FEATURES**

- 2-Position Adjustable/Convertible Vertical Protector
- For Self-Service Applications or use as a Vertical Shield
- NSF/ANSI 2 Compliant as Either Vertical Shield or for Self-Service Operation
- End Panels flip 180 degrees – Assures NSF/ANSI 2 Compliance in Both Vertical and Self-Service Positions Without Being Obtrusive
- Up to 51-3/4" Centerline Span Between Front Supports
- 1"OD Solid, Precision-machined Supports - 6061-T6 Aluminum or 303 Stainless Steel

- 1/4" Clear Tempered Glass Front Panels
- 1/4" Clear Tempered Glass End Panels

////////////////////////////////////// **STANDARD FEATURES**

- All Tempered Glass Panels with Ground & Polished Edges & Radius Corners
- All Glass Manufactured in Strict Conformance with ASTM C1048-04 and tested to ANSI Z97.1 standards.
- Multiple Mounting Options Available
- Multiple Finish Options Available