

Double-Sided Adjustable Self-Service Protector w/ Shelf

FINISH:

- Brushed Stainless Steel
- Clear Anodized Aluminum
- Powder Coat:
 - Black
 - Silver

RAL # _____

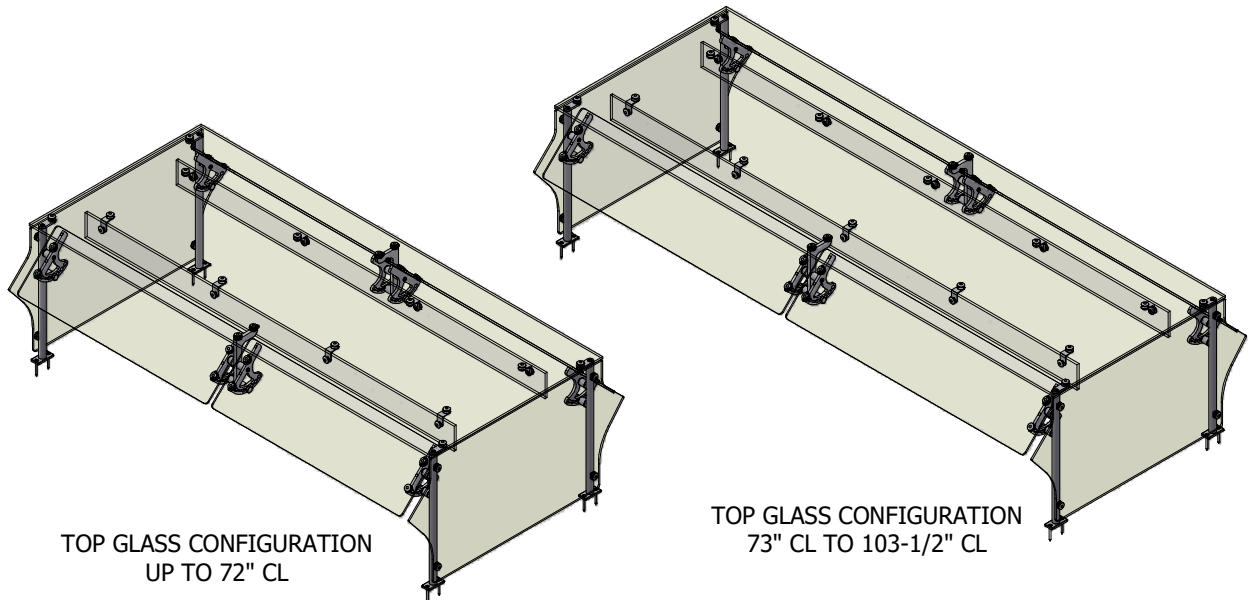
GLASS:

- 1/4" Front - Std
- 3/8" Top - Std
- 1/2" Top
- Frosted

OPTIONS(*):

- End Panel - LT
- End Panel - RT
- Light Fixture
- Warmer
- Shelf Kit

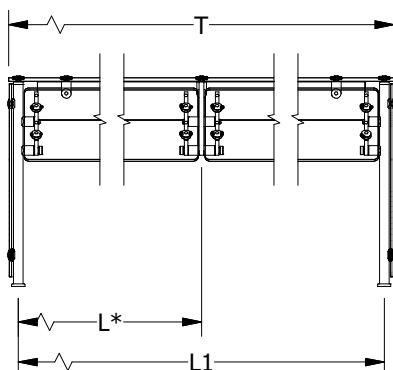
(*) Not all options available on all models
Contact factory for specific information
For Mounting Options see Mounting Hardware Guide



TOP GLASS CONFIGURATION
UP TO 72" CL

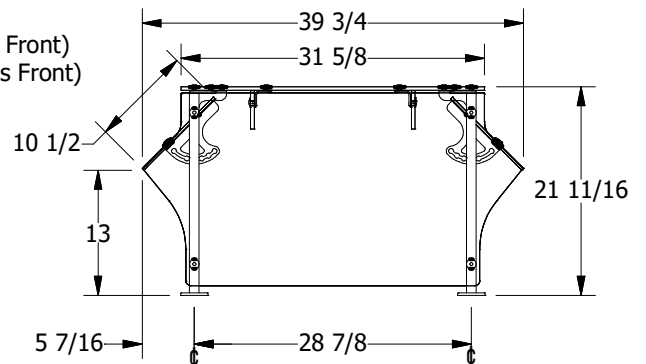
TOP GLASS CONFIGURATION
73" CL TO 103-1/2" CL

End panels are 1/4"
clear tempered glass
unless otherwise specified.



- Centerline Dimensions -
L = 51 3/4" Max (1/4" Glass Front)
L1 = 103-1/2" Max (1/4" Glass Front)

T = Top Panel in One Piece



(* - Middle support is centered unless L dimension is specified)