

VERSA-GARD®

We make food look better.

www.versa-gard.com

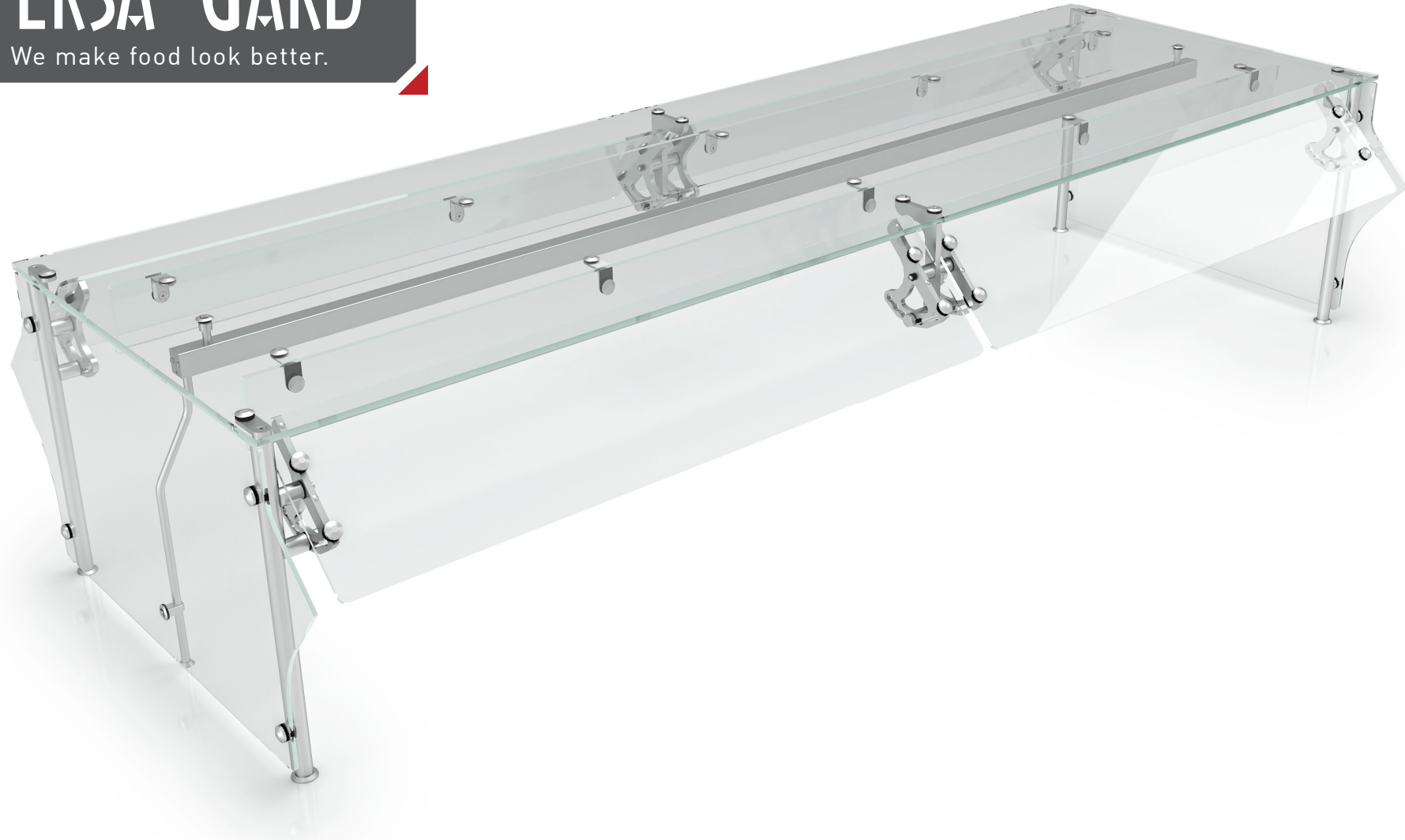


VG[®] 3-DS-E

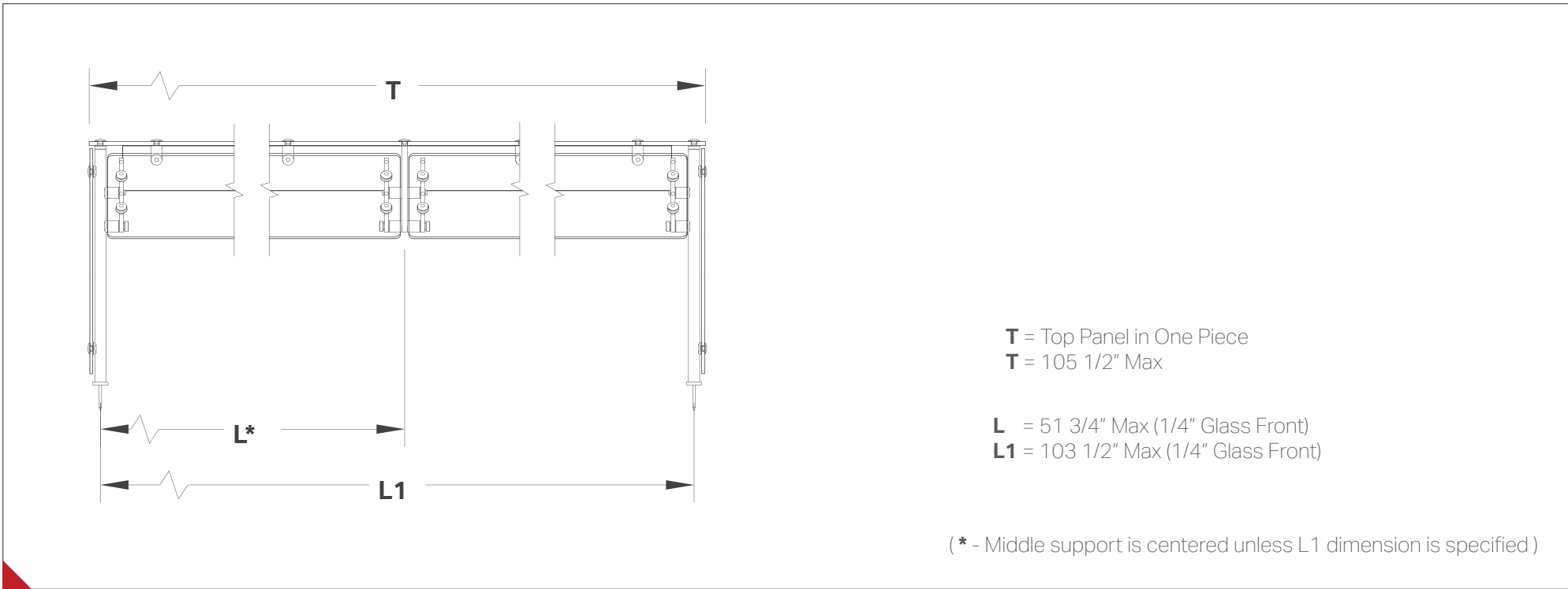
DOUBLE-SIDED ADJUSTABLE FOOD PROTECTOR FOR EXTENDED SPANS



VERSA-GARD®
We make food look better.

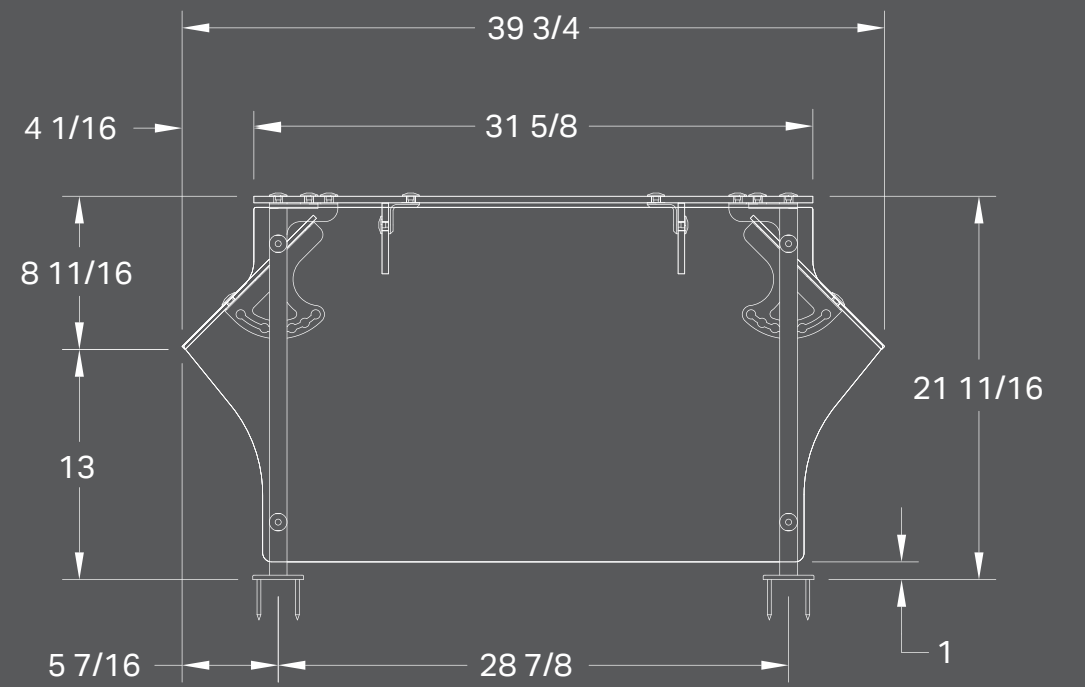


////////////////////CENTERLINE DIMENSIONS



VG[®]3-DS-E

//////////////////// SIDE ELEVATIONS





VG[®] 3-DS-E

MODEL FEATURES

- Double-Sided Adjustable Food Protector for Extended Spans
- For Self-Service Applications
- Easily Adjustable in 7 Different Self-Serve Positions
- Operator Friendly - Adjusts in Minutes
- Multiple Configurations to Adapt to Service Style
- Top Shelf for Display and Additional Protection
- Up to 51-3/4" Centerline Span Between Front Glass Brackets
- Up to 103-1/2" Centerline Span Between Counter Top Supports
- 1"OD Solid, Precision-machined Supports - 6061-T6 Aluminum or 303 Stainless Steel
- 1/4"(standard), or 3/8" Clear Tempered Glass Front Panel
- 3/8" Clear Tempered Glass Top Shelf (standard)
- 1/4" Clear Tempered Glass End Panels
- Available with Lights and/or Food Warmers

STANDARD FEATURES

- All Tempered Glass Panels with Ground & Polished Edges & Radius Corners
- All Glass Manufactured in Strict Conformance with ASTM C1048-04 and tested to ANSI Z97.1 standards.
- Multiple Mounting Options Available
- Multiple Finish Options Available



02/2022

WWW.VERSA-GARD.COM
 Protected by U.S. Patent 7,040,723
 Other Patents Pending

1094 Parkway Industrial Park Drive
 Buford, GA 30518
 678-730-4155 office
 info@versa-gard.com