

VERSA-GARD®

We make food look better.

www.versa-gard.com



CAPTUR®

VGCP9-2T

2-TIER SELF-SERVICE FOOD PROTECTOR WITH TOP SHELF



VERSA-GARD®

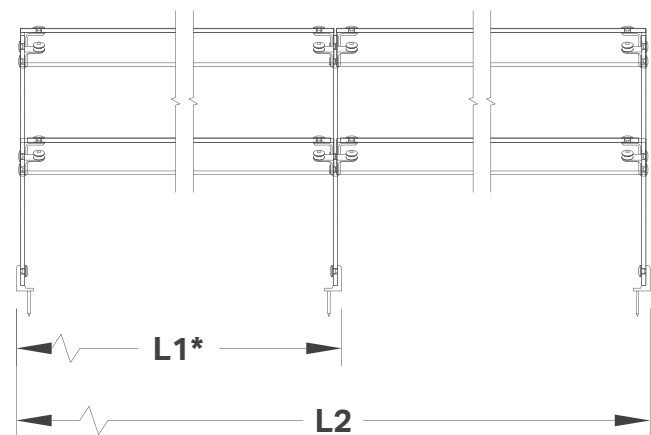
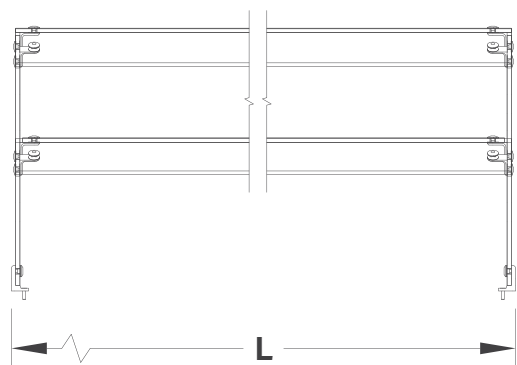
We make food look better.



APTUR® VGCP9-2T

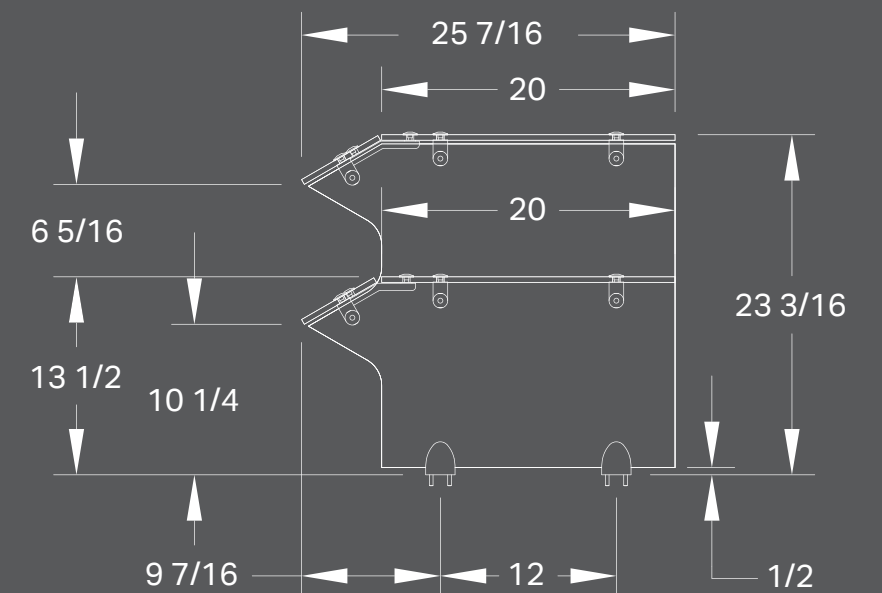
////// SIDE ELEVATIONS

////// CENTERLINE DIMENSIONS



L / L1 = 96" Max
L2 = 192" Max

(* - Middle support is centered unless L1 dimension is specified)



VERSA-GARD®

We make food look better.



CAPTUR® VGCP9-2T

//////////////////// MODEL FEATURES

- 2-Tier Self-Service Food Protector with Top Shelf
- For Self-Service Applications
- Upper Shelf for Food Pickup, or Wrapped or Pre-Packaged Goods
- Achieves Maximum Visibility with Minimalist Hardware
- Low-maintenance & Easy to Clean
- Span up to 96" o.a. with 3/4"Ø Center Support
- Center Support not Required under 62" o.a. length
- 3/8" Clear Tempered Glass Front Panel
- 3/8" Clear Tempered Glass Top Shelf, Intermediate Shelf, and Side Panels
- Precision-machined Hardware in 6061-T6 Aluminum
- Available with LED Light and/or Food Warmers

//////////////////// STANDARD FEATURES

- All Tempered Glass Panels with Ground & Polished Edges & Radius Corners
- All Glass Manufactured in Strict Conformance with ASTM C1048-04 and tested to ANSI Z97.1 standards.
- Surface Mounting or Concealed Mounting Available
- Multiple Finish Options Available



07/2022

WWW.VERSA-GARD.COM
Protected by U.S. Patent 6,485,118, 7,040,723 and 8,308,249
Other Patents Pending

1094 Parkway Industrial Park Drive
Buford, GA 30518
678-730-4155 office
info@versa-gard.com