

VERSA-GARD®

We make food look better.

www.versa-gard.com



CAPTUR®

VGCP6S

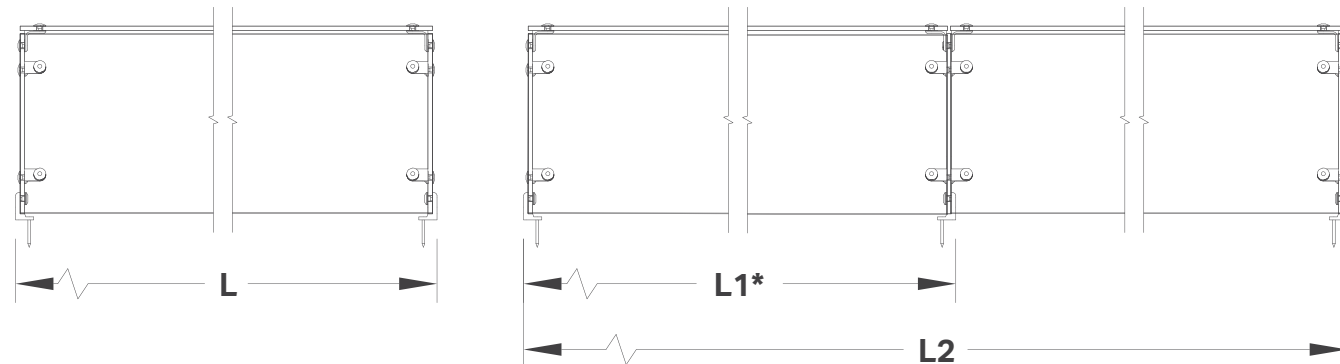
SLOPED FRONT FULL SERVICE FOOD PROTECTOR WITH TOP SHELF
////////////////////////////////////

VERSA-GARD®

We make food look better.



////////////////////CENTERLINE DIMENSIONS



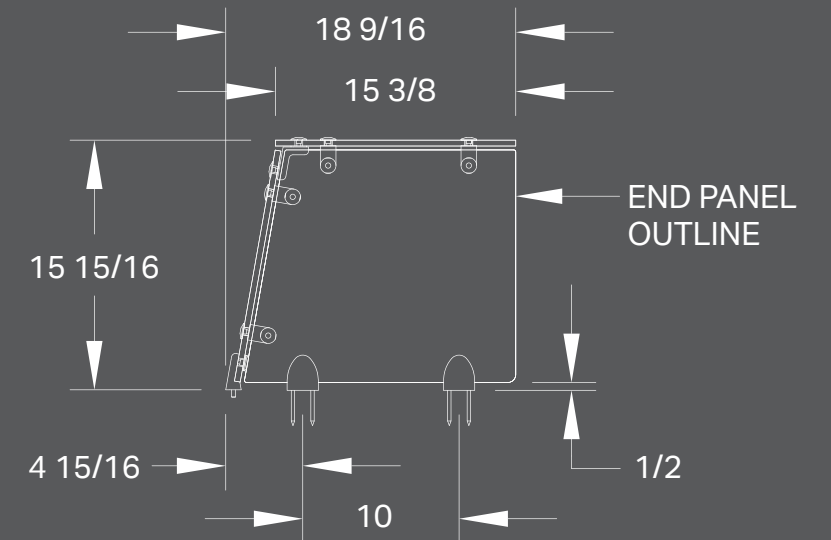
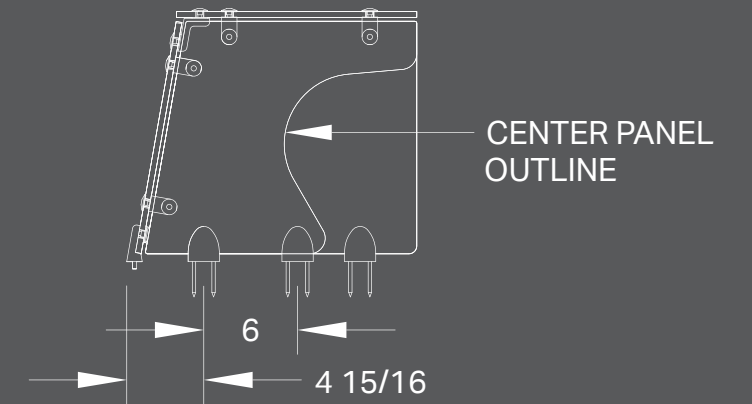
L / L1 = 96" Max
L2 = 192" Max

(* - Middle support is centered unless L1 dimension is specified)

APTUR®

VGCP6S

//////////////////// SIDE ELEVATIONS



VERSA-GARD®

We make food look better.



CAPTUR® VGCP6S

MODEL FEATURES

- Double-Sided 2-Tier Self-Service Food Protector with Top Shelf
- For Attendant-Served Applications
- Achieves Maximum Visibility with Minimalist Hardware
- Low-maintenance & Easy to Clean
- Span up to 96" o.a. Without a Center Support
- 3/8" Clear Tempered Glass Front Panel
- 3/8" Clear Tempered Glass Top Shelf and Side Panels
- Precision-machined Hardware in 6061-T6 Aluminum
- Available with LED Light and/or Food Warmer

STANDARD FEATURES

- All Tempered Glass Panels with Ground & Polished Edges & Radius Corners
- All Glass Manufactured in Strict Conformance with ASTM C1048-04 and tested to ANSI Z97.1 standards.
- Surface Mounting or Concealed Mounting Available
- Multiple Finish Options Available



07/2022

WWW.VERSA-GARD.COM
Protected by U.S. Patent 6,485,118, 7,040,723 and 8,308,249
Other Patents Pending

1094 Parkway Industrial Park Drive
Buford, GA 30518
678-730-4155 office
info@versa-gard.com