

Double-Sided Self-Service Protector

FINISH:

- Brushed Stainless Steel
- Clear Anodized Aluminum
- Powder Coat:
 - Black
 - Silver

RAL # _____

GLASS (Clear Tempered):

- 1/4" Front - Std
- 3/8" Top - Std
- Frosted

OPTIONS(*):

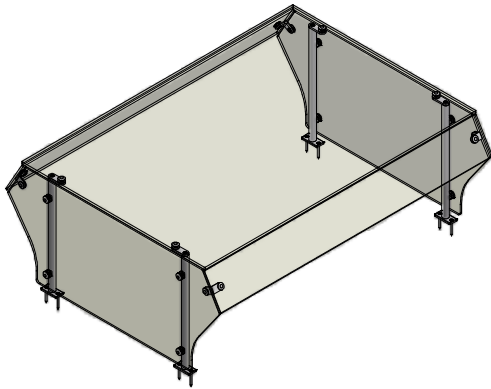
- VG 12V LED Light
- Hatco Strip Warmer

Model # _____

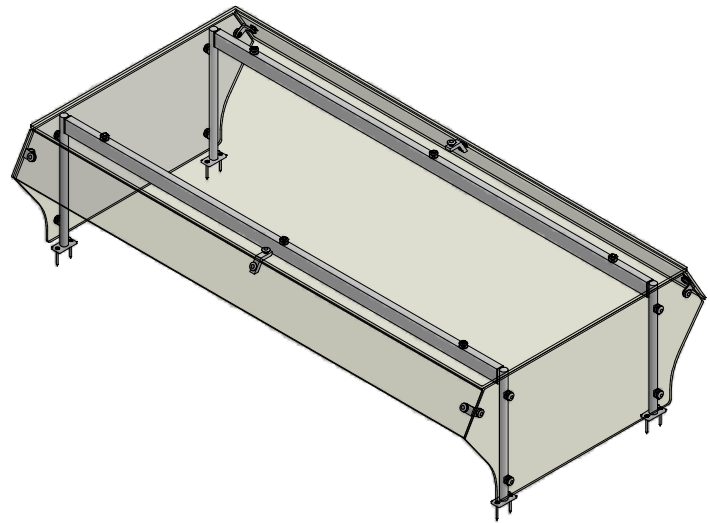
MOUNT:

- Conceal Mount
- Surface Mount

(*) Not all options available on all models
Contact factory for specific information
For Mounting Options see Mounting Specifications

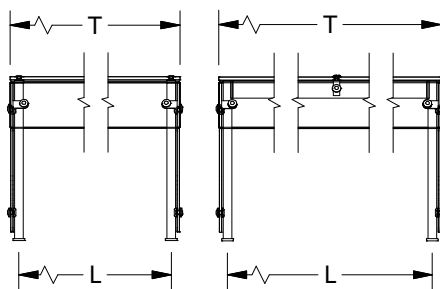


TOP GLASS WITHOUT SUPPORT FIN
0" TO 60" OVERALL LENGTH



TOP GLASS WITH SUPPORT FINS
61" TO 96" OVERALL LENGTH

End panels are 1/4" clear tempered glass unless otherwise specified.



- Centerline Dimensions -
L - 96" Max

T = Top Panel in (1) Piece
T - 98" Max.

