

VERSA-GARD®

We make food look better.

www.versagard.com



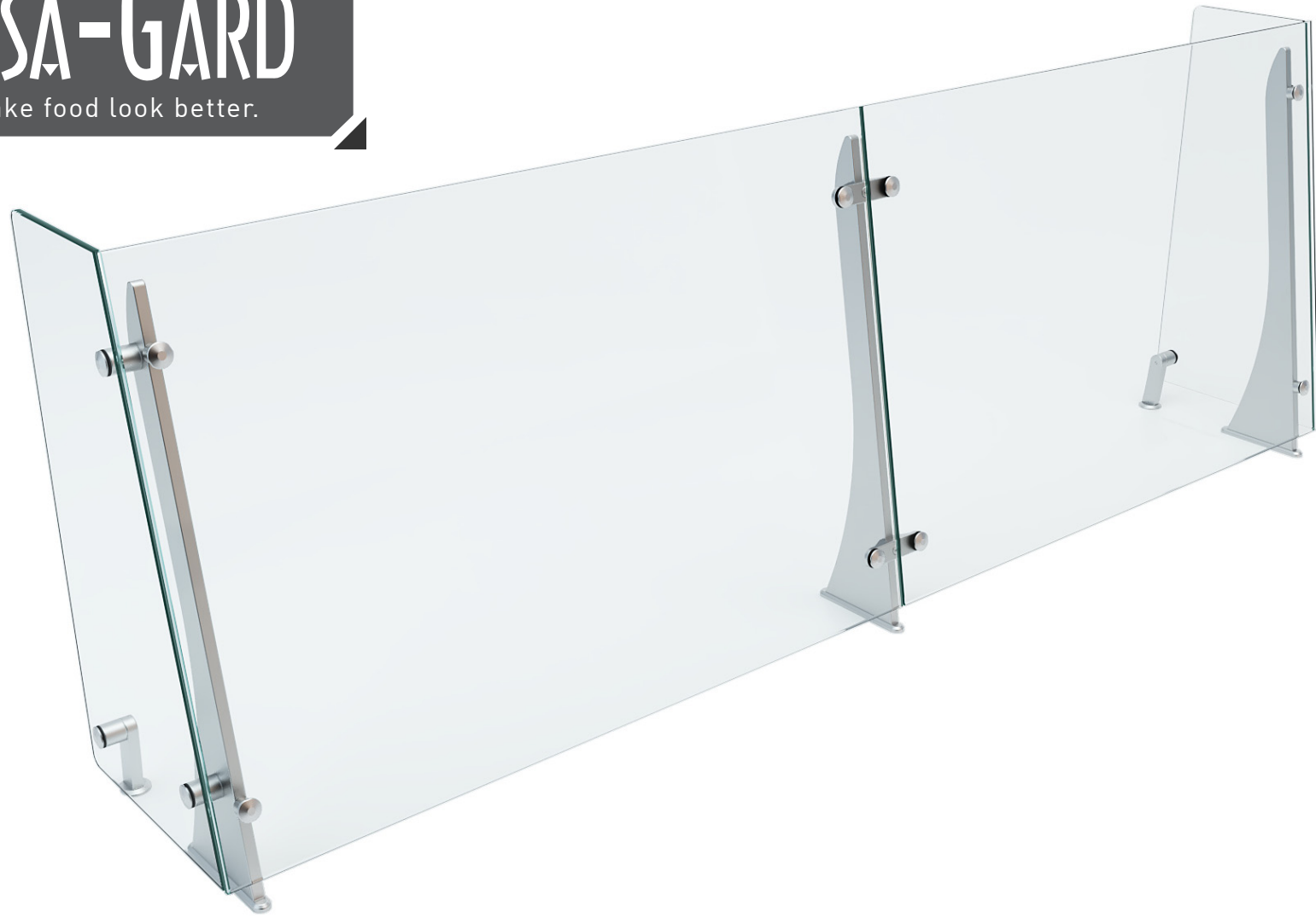
EUROPA®

VPES

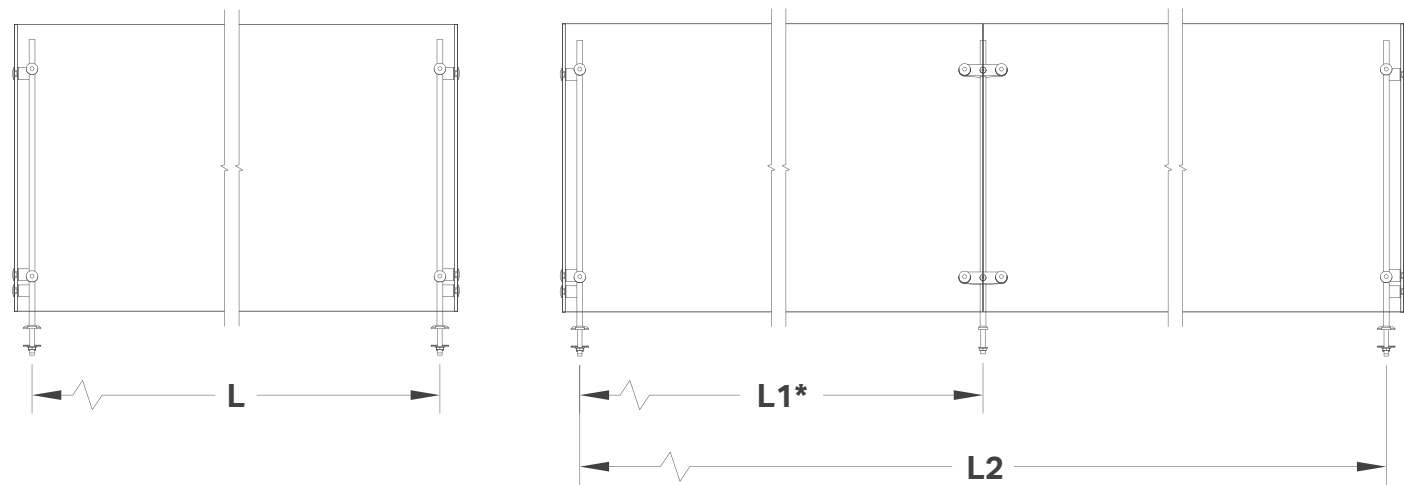
FULL SERVICE SLOPED FRONT FOOD PROTECTOR



VERSA-GARD[®]
We make food look better.



////////////////////CENTERLINE DIMENSIONS



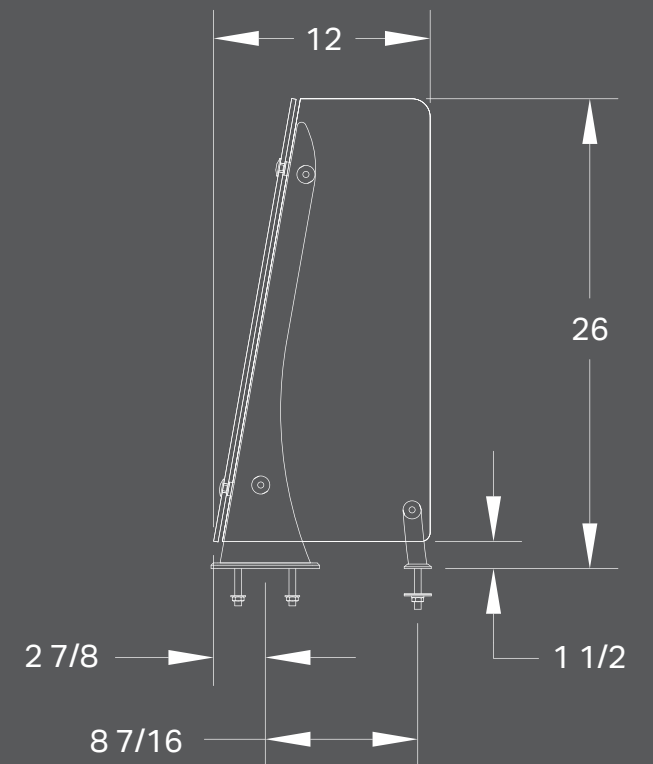
L / L1 = 48" Max (1/4" Glass)
= 66" Max (3/8" Glass)

****** = 26" for 34" High Counter
= 24" for 36" High Counter

(* - Middle support is centered unless L1 dimension is specified)
(** - Different glass heights for different counter heights)

EUROPA[®]
VPES

//////////////////// SIDE ELEVATIONS



VERSA-GARD®

We make food look better.



EUROPA®

VPES

MODEL FEATURES

- Full Service Sloped Front Food Protector
- For Cafeteria Counters and Cooking and/or Carving Station Operations
- Available with 6" Pass-Through Opening
- Up to 66" Centerline Span Between Supports Utilizing 8-1/2" h Intermediate Support
- 1/2" Thick, Solid, Precision-machined Supports - 6061-T6 Aluminum
- 1/4" (standard), 3/8" Clear Tempered Glass Front Panel
- 1/4" Clear Tempered Glass End Panels

STANDARD FEATURES

- All Tempered Glass Panels with Ground & Polished Edges & Radius Corners
- All Glass Manufactured in Strict Conformance with ASTM C1048-04 and tested to ANSI Z97.1 standards
- Surface Mounting or Concealed Mounting Available
- Multiple Finish Options Available

