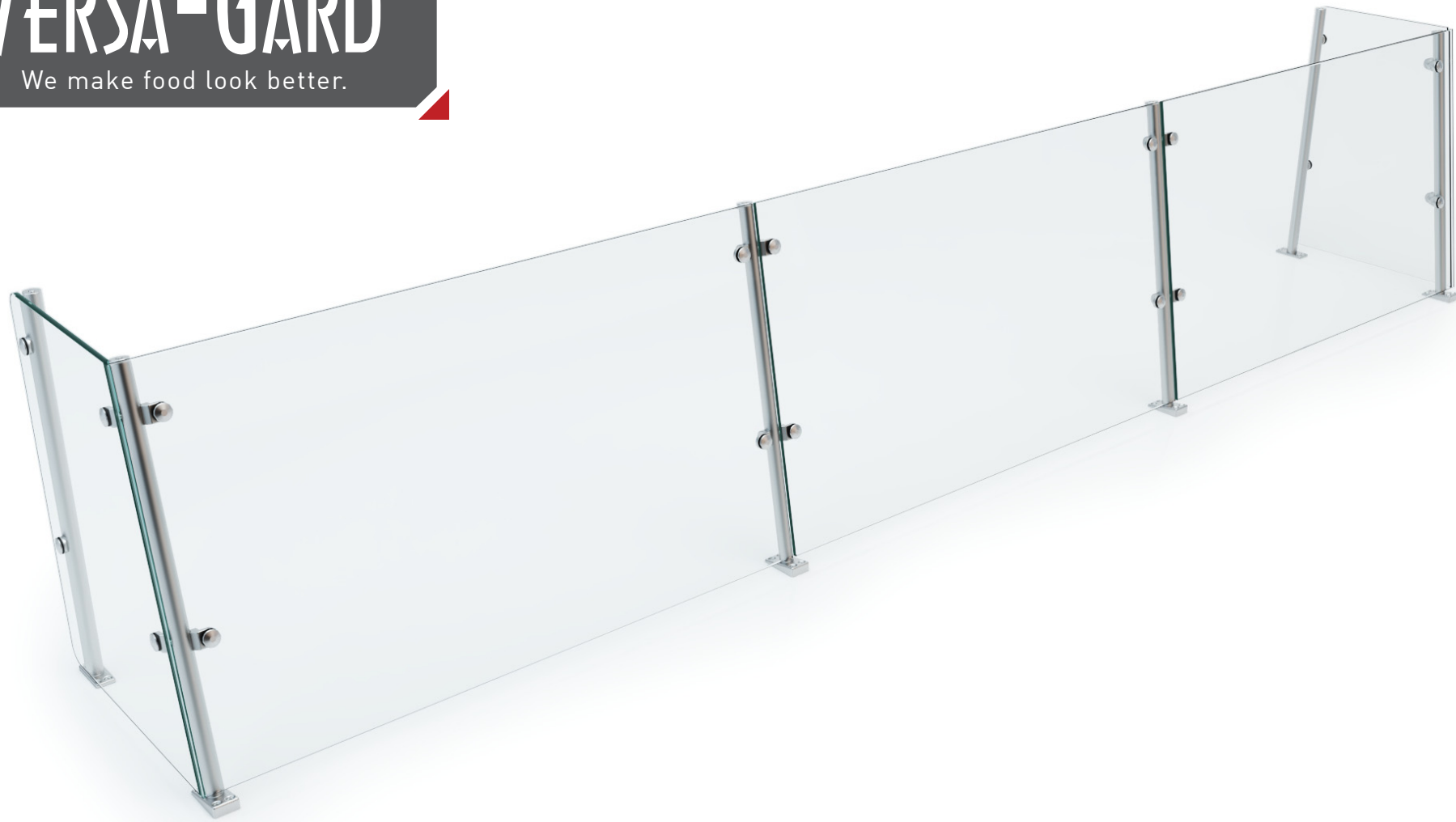


VERSA-GARD[®]
We make food look better.
www.versa-gard.com

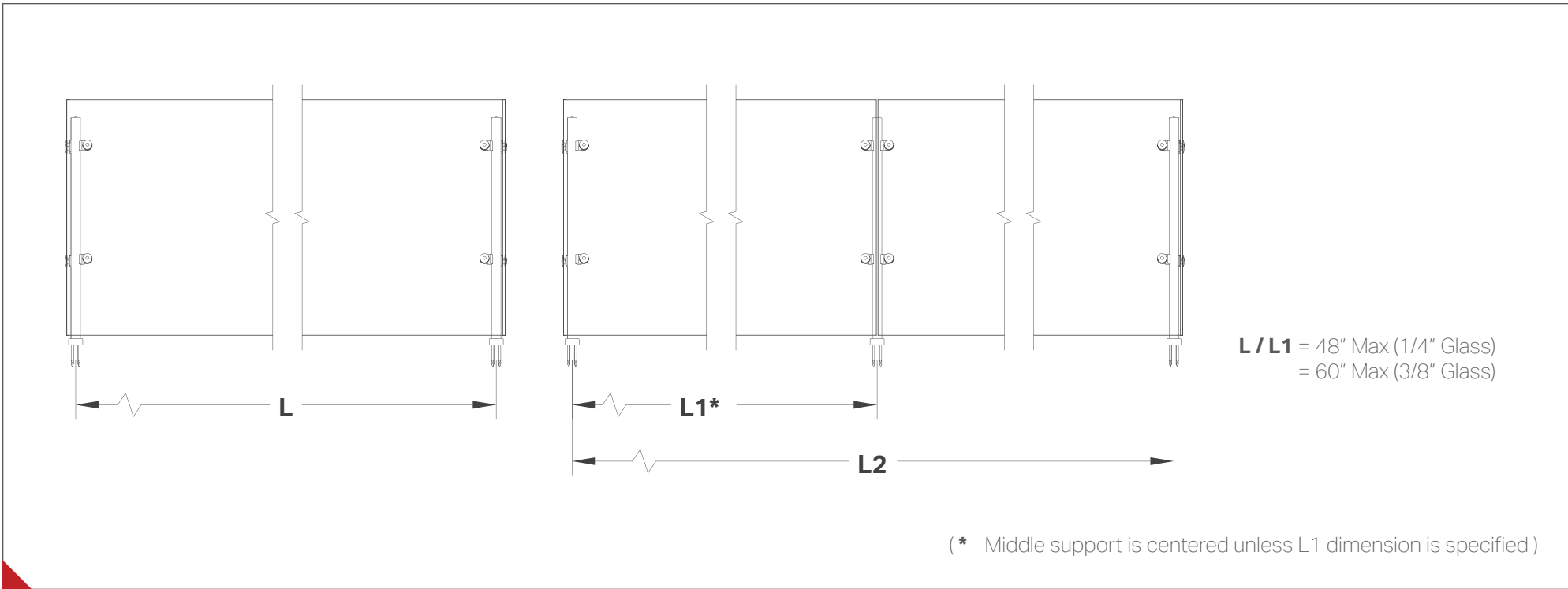


VP 24S

FULL SERVICE SLOPED VERTICAL FOOD PROTECTOR
////////////////////////////////////

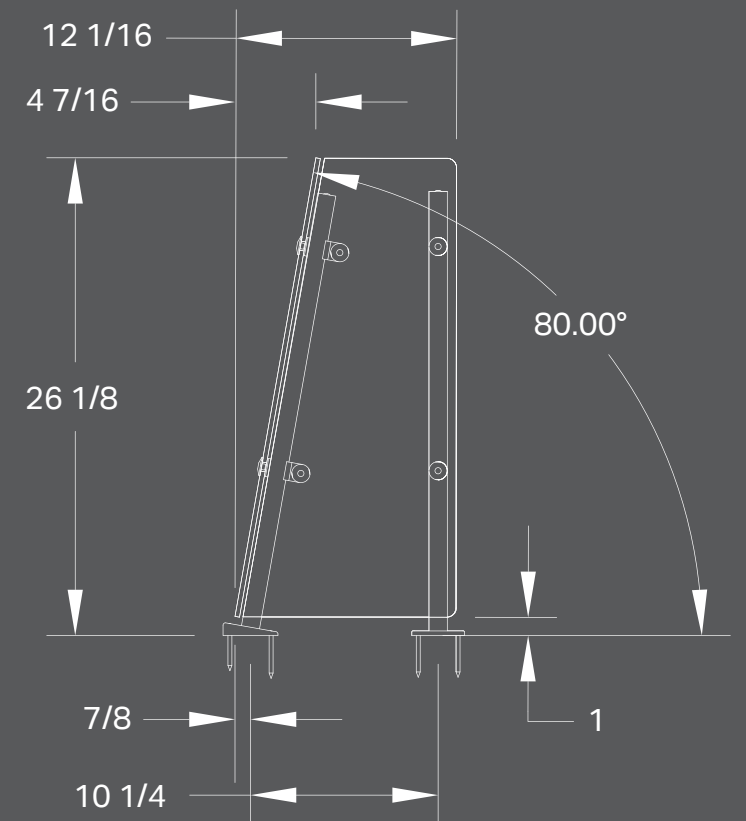


////////////////////CENTERLINE DIMENSIONS



VP 24S

//////////////////// SIDE ELEVATIONS





VP 24S

MODEL FEATURES

- Full Service Sloped Vertical Food Protector
- For Cafeteria Counters and Cooking and/or Carving Station Operations
- Up to 60" Centerline Span Between Front Supports
- 1"OD Solid, Precision-machined Supports - 6061-T6 Aluminum or 303 Stainless Steel
- 1/4" (standard), or 3/8" Clear Tempered Glass Front Panel
- 1/4" Clear Tempered Glass End Panels

STANDARD FEATURES

- All Tempered Glass Panels with Ground & Polished Edges & Radius Corners
- All Glass Manufactured in Strict Conformance with ASTM C1048-04 and tested to ANSI Z97.1 standards.
- Multiple Mounting Options Available
- Multiple Finish Options Available