



Project _____

Item # _____ Quantity _____

RADIANCE All Glass Chafer



ITEM #	DESCRIPTION	DIMENSIONS	CAPACITY	WEIGHT
2571-6/11	Stainless Steel, Full-Size Glass Cover Induction Server W/ Insert Pan	22.5" x 17.75" x 6.9"	10 qt	28.6 lbs
2571-8/11	Titanium, Full-Size Glass Cover Induction Server W/ Insert Pan	22.5" x 17.75" x 6.9"	10 qt	28.6 lbs
2572-6/38	Stainless Steel, Round Glass Cover Induction Server W/ Insert Pan	17" x 21.25" x 6.5"	6 qt	22 lbs
2572-8/38	Titanium, Round Glass Cover Induction Server W/ Insert Pan	17" x 21.25" x 6.5"	6 qt	22 lbs
2574-6/23	Stainless Steel, Square Glass Cover Induction Server W/ Insert Pan	17.75" x 18.75" x 7"	6 qt	21 lbs
2574-8/23	Titanium, Square Glass Cover Induction Server W/ Insert Pan	17.75" x 18.75" x 7"	6 qt	21 lbs

Description:

Spring USA's Radiance All Glass Chafer is designed for serving prepared food with a large, "easy-view" cover and all-angle axle that allow guests to see the server contents without opening the cover.

Standard Warranty:

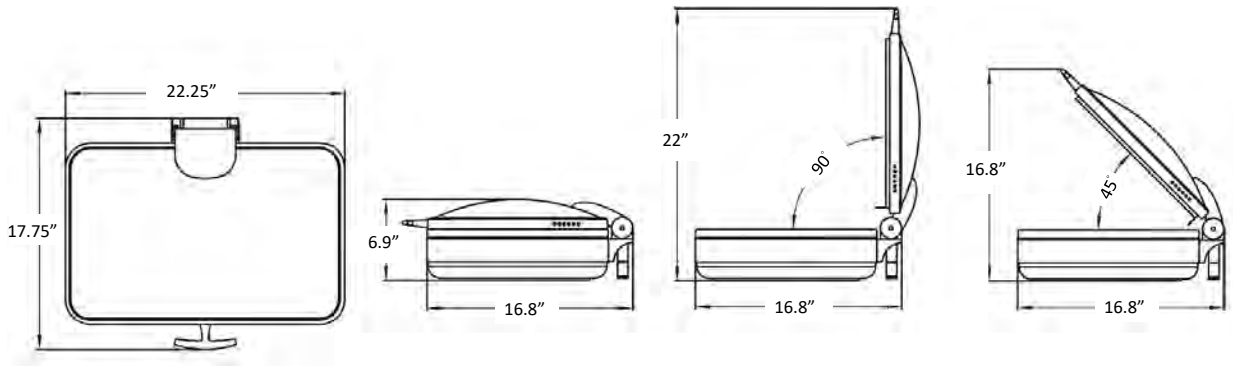
Limited Lifetime Spring USA warranty

Construction & Performance Features:

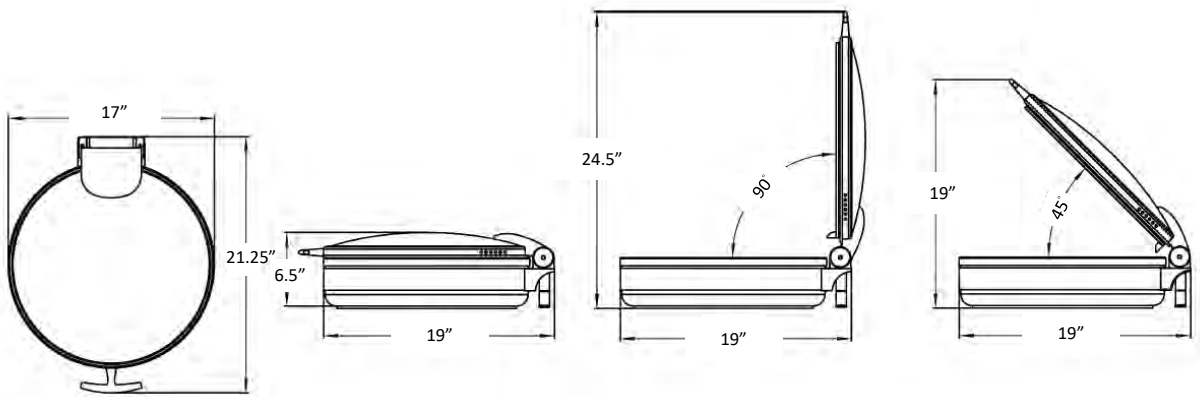
- 18/8 stainless steel
- Non-slamming, cartridge axle system
- Exclusive waterfall condensation return method
- Easy-read, water fill-line printed on inside of chafer
- Oven and dishwasher safe inserts
- Includes one food pan insert

KEY DIMENSIONS

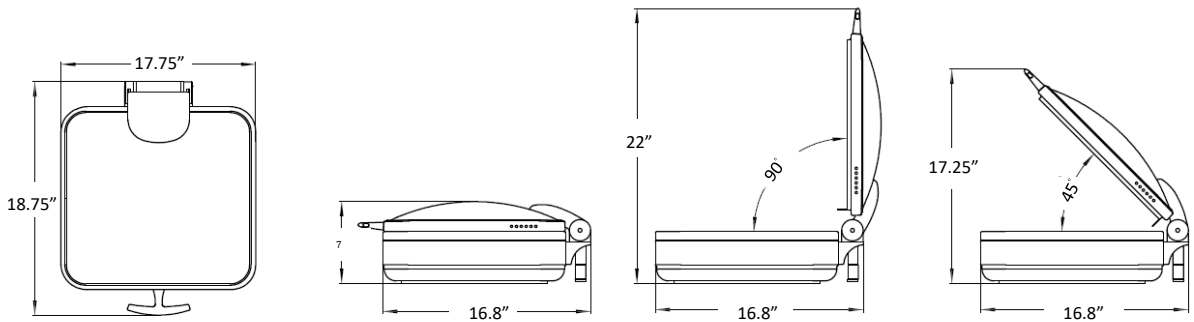
Full-Size, 10 qt



Round, 6 qt



Square, 6 qt





Project _____

Item # _____ Quantity _____

COMPATIBLE ACCESSORIES

MODEL	DETAILS	MODEL	DETAILS
572-66	Stainless Steel, 6QT Round Insert	522-66/23	Stainless Steel, 5.8QT Square Insert
572-61	Stainless Steel, Shallow Round Insert	522-62/23	White Coated SS, 5.8QT Square Insert
572-62	White Coated SS, 6QT Round Insert	521-66/23	Stainless Steel, 5.8QT Square Insert
572-66/12	Stainless Steel, 6QT Divided Round Insert	522-66/11	Stainless Steel, 10QT Full-size Insert
572-62/12	White Coated SS, 6QT Divided Round Insert	522-62/11	White Coated SS, 10QT Full-size Insert
S574-8/23	Titanium Stand, Square	S574-6/23	Stainless Steel Stand, Square
S572-8/38	Titanium Stand, Round	S572-6/38	Stainless Steel Stand, Round
S571-8/11	Titanium Stand, Full-Size	S571-6/11	Stainless Steel Stand, Full-Size
SM-360*	Hold-only Induction Range		

SHIPPING DIMENSIONS

ITEM #	LENGTH	WIDTH	HEIGHT	WEIGHT
2571-6/11	27.5"	20"	10"	33 lbs
2571-8/11	27.5"	20"	10"	33 lbs
2572-6/38	20.6"	20"	10"	28 lbs
2572-8/38	20.6"	20"	10"	28 lbs
2574-6/23	20.6"	20"	10"	27 lbs
2574-8/23	20.6"	20"	10"	27 lbs

Notes & Conditions:

1. Spring USA Induction Servers and Induction Warmers/Ranges are designed to work together as a system. Optimal performance is achieved by using Spring USA components in conjunction with each other. As the first to offer such induction systems, Spring USA cannot warranty the performance of facsimile products offered by other companies.
2. The Radiance Induction Buffet Servers are designed to maintain temperature they do not cook or continue to cook food.

*Not compatible with full-size stand