

Project _____
 Item # _____ Quantity _____
 Model # _____



Built-In, Hold-Only Induction Warmer

(Model Shown: SM-651R)

Model #	Voltage	Peak Power	Plug Type
SM-651R (US)	110-120	650 W	NEMA 5-15P
SM-653R (Int'l)	220-240	650 W	CEE-7/7 16A Schuko
SM-653RU (UK)	220-240	650 W	BS 1363 (13A) U.K.

Description:

Spring USA's Built-In, Hold-Only Induction Warmer is a heating unit for product holding. The range is flush mountable and features a installation-ready modular flanged base and separate control panel. Each range includes our exclusive SmartScan[®] technology with over/under voltage protection, pan size and pan type recognition, and large LED power/temp display.

Construction & Performance Features:

- Sealed induction base with flanged cooking surface for easy drop-in mounting
- Separate control panel with 43" (1.1 m) cable for easy mounting
- Mounting frame bracket
- Rugged, 5 mm thick, easy to clean, tempered glass top
- 100% silicone rubber protective top seal
- 7' power cord with plug
- Simple, solid state controls
- Power ON/OFF touch pad
- Power ON/Pan-Present indicator lights

- Four-Position Set-Hold Temperature Control
- Lighted temperature indicator
- Temperature range

Low	Low-Med	Med-High	High
145-155°F	156-165°F	166-175°F	176-185°F
62-68°C	69-73°C	74-79°C	80-85°C

Standard Warranty:

Spring USA Induction Ranges offer a one (1) year, overnight exchange warranty, from the date of invoice, against manufacturers defects. See SpringUSA.com for more details.

Agency Listings:

- ETL
- UL STD 197
- FCC
- CETL
- ETL-Sanitation to NSF-4



Built-In, Hold-Only Induction Warmer

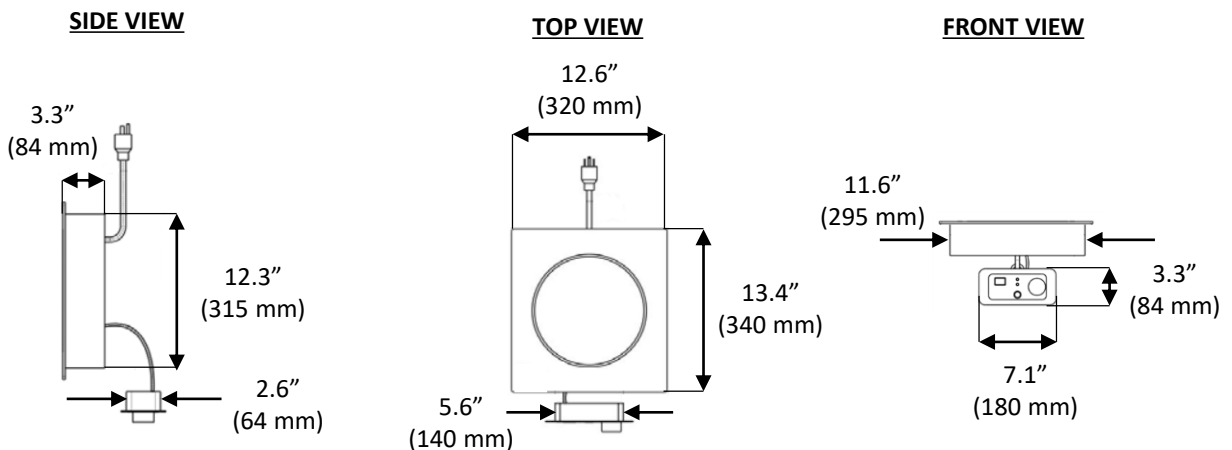
Available Accessories/Alternate Configurations:

- Universal flush mounting flange/adaptor plate
- Induction-ready Cookware and Serving Vessels
- AF-350 Under-Counter Air Filter System
- Built-In, High Power Induction Ranges
- Countertop, Portable Induction Ranges
- Custom Tabletop Induction featuring SmartStone®
- Mobile & Custom Configurations [Contact Spring USA]

Electric Requirements:

Model #	Voltage	Phase	Hertz	Watts	Amps	Plug
SM-651R (US)	110-120	1	60	650	5.4	NEMA 5-15P
SM-653R (Int'l)	220-240	1	50-60	650	2.7	CEE-7/7 16A Schuko
SM-653RU (UK)	220-240	1	50-60	650	2.7	BS 1363 (13A) U.K.

Key Dimensions:



-Flush mount Range cutout:

13.4" L x 12.6" W

-Drop-in Cutout:

12.6" L x 11.6" W

Control box cutout: 5.75" L x 2.75" W

Net Weight: 10.6 lb. (4.8 kg)



Project _____
Item # _____ Quantity _____
Model # _____

Built-In, Hold-Only Induction Warmer

Shipping Dimensions:

Single Unit Shipping Carton				
Model #	Length	Width	Height	Weight
SM-651R (US)	18.0"	17.0"	7.0"	13.0 lb.
SM-653R (Int'l)	457 mm	432 mm	178 mm	5.9 kg
SM-653RU (UK)	457 mm	432 mm	178 mm	5.9 kg

Notes & Conditions:

1. This induction range must be surface mounted (by others) in a heat resistant countertop (2" thick maximum) or base cabinet with the control module mounted on the front of that enclosure [see cutout dimensions above].
2. For optimum performance, allow 4" clearance from front and sides; 7" below unit for good air circulation. **Cabinet ventilation must be provided.** The inside temperature of the cabinet must not exceed 90°F/32°C.
3. Actual range temperature may vary due to a number of variables, such as ambient temperature in the immediate surrounding area, content and volume of food being heated or cooked, and whether or not you are using a cover on the serving vessel.
4. This induction range requires use of ferrous metal, induction-ready cookware.
5. Spring USA Induction Servers and Induction Warmers/Ranges are designed to work together as a system. Optimal performance is achieved by using Spring USA components in conjunction with each other. As the first to offer such induction systems, Spring USA cannot warranty the performance of facsimile products offered by other companies.