

Project _____

Item # _____

Quantity _____

Adjustable Arm Heat Lamp



ITEM #	DESCRIPTION	VOLTAGE	PEAK POWER
2791-6E	Single-Head, Polished Stainless Steel	110-120	250 W
2791-6E-220		220-240	
2791-6EB	Single-Head, Matte Black	110-120	
2792-6E	Double-Head, Polished Stainless Steel	110-120	500 W
2792-6E-220		220-240	
2792-6EB	Double-Head, Matte Black	110-120	

Description:

Spring USA's Adjustable Arm Heat Lamp is a countertop, food warming lamp with a built-in receptacle for daisy chaining. The goose-neck makes for easy and quick adjustments of the head(s).

Construction & Performance Features:

- Available in polished, stainless steel or matte black
- 18/8 stainless steel
- Power receptacle in back
- Daisy chain up to (6) single-head lamps and up to (3) double-head lamps
- Weighted base sits neatly behind a carving board or warming tray
- Shatterproof bulbs
- Bulbs included
- 5.5' power cord with plug
- Power ON/OFF switch

Standard Warranty:

- One year, parts & labor

Agency Listings:

- ETL
- UL STD 197
- CSA Std. C22.2 No. 109



Available Accessories/Alternative Configurations:

- Heated Mocha Carving Board
- [2794-6M]
- Warming Tray [ST-1220]
- Stealth Warming Tray [ST-1220-T]
- Single Pivot Head Heat Lamp
- [2791-5]
- Double Pivot Head Heat Lamp
- [2792-5]

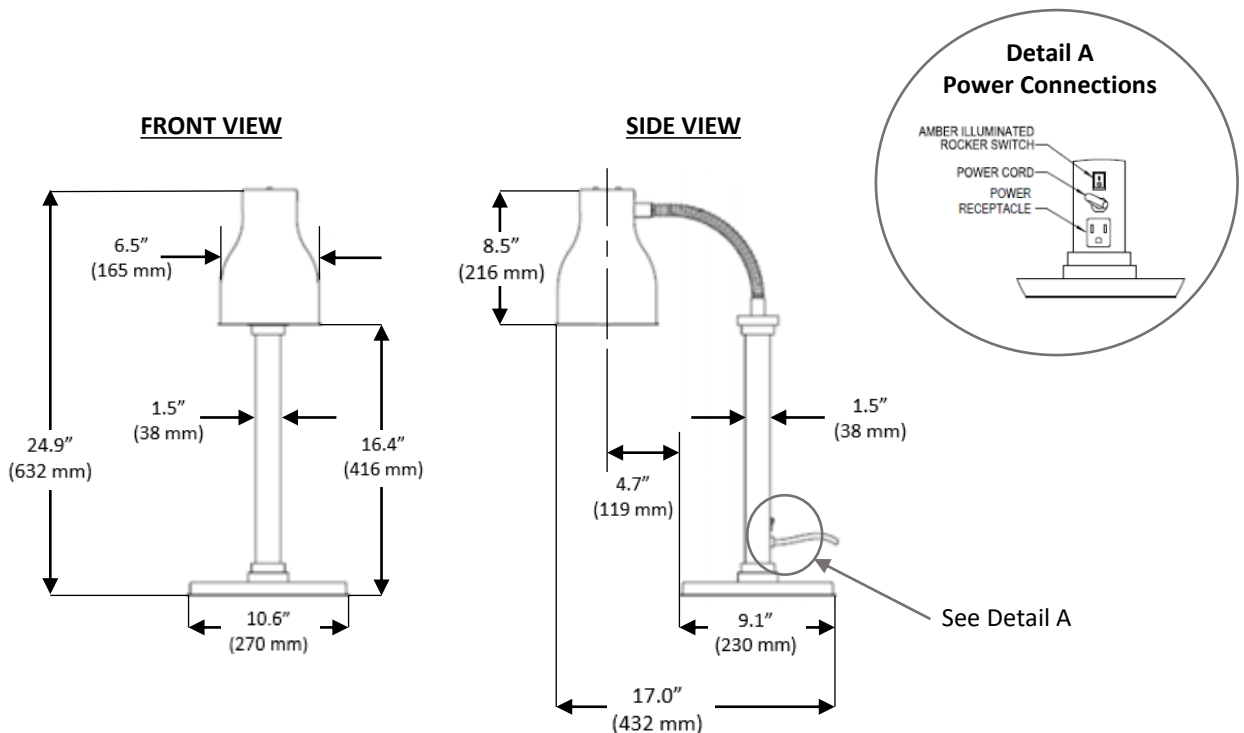
Adjustable Arm Heat Lamp

Electrical Requirements:

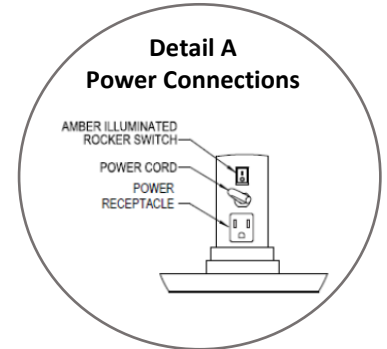
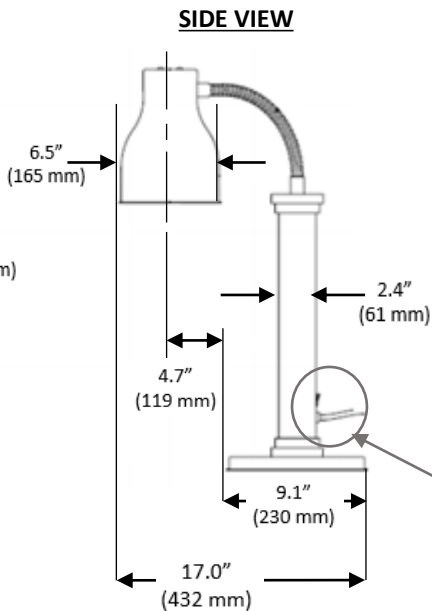
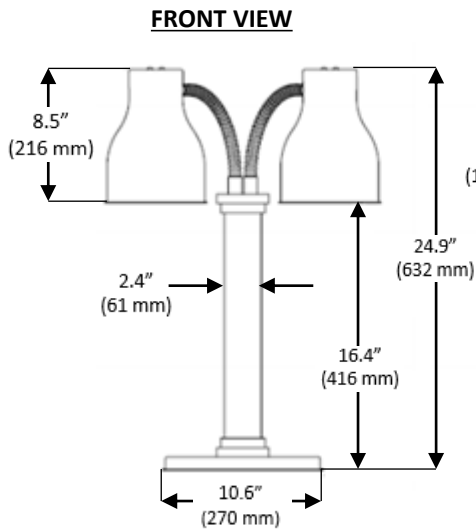
ITEM #	V	Ph	Hz	W	A	PLUG
2791-6E	110-120	1	60	250	2.1	NEMA 5-15P
2791-6E-220	220-240	1	50-60	250	1.0	CEE-7/7 16A Schuko, BS 1363 13A UK
2791-6EB	110-120	1	60	250	2.1	NEMA 5-15P
2792-6E	110-120	1	60	500 W	4.2	NEMA 5-15P
2792-6E-220	220-240	1	50-60	500 W	2.1	CEE-7/7 16A Schuko, BS 1363 13A UK
2792-6EB	110-120	1	60	500 W	4.2	NEMA 5-15P

Key Dimensions:

Item #2791-6E, 2791-6E-220, 2791-6EB



Adjustable Arm Heat Lamp

Key Dimensions Cont'd:**Model 2792-6E, 2792-6E-220, 2792-6EB**

See Detail A

Notes & Conditions:

1. Do not daisy chain more than the maximum allowable lamps total. If combining different items, do not exceed 12.6 amps total.
2. Food should be at or above serving temperature before being placed under a heat lamp.