



Project: _____

Item #: _____ Quantity: _____

Model #: _____



Single SmartStone™ Tabletop Induction Warmer

Model: SRC-651SS (110-Volt/US)

Order Guide:

| ✓ | Model Number | Voltage | Peak Power | Plug Type |
|---|--------------|---------|------------|-----------|
| | SRC-651SS 1 | 10-120 | 650 Watts | NEMA 5-15 |

Short Form Specification:

Unit to be a Spring USA **MAX Induction™**:
Tabletop SRC-651SS.

Installed below a SmartStone™ Countertop is the SRC-651SS Hold-Only Induction Heating System; Constructed of a metal housing with high-impact, 5mm thick, tempered glass hot top. Unit features a separate control panel with 36" (915 mm) cable, providing four (4) temperature settings and a large LED hold-temperature display, in addition to the features listed below.

Construction & Performance Features:

- Magnetic *SmartScan™* technology heats the metal serving pieces, not the countertop
- Separate control panel with 36" (915mm) cable for easy front mounting
- Energy saving 650-watt model for product holding (only)
- Choice of four (4) temperature settings
- Choice of nine (9) SmartStone™ counter colors

Simple Solid State Controls With:

- Power ON/OFF Touch Pad
- Power ON/Pan-Present Indicator Lights
- Four-Position Set-Hold Temperature Control
- Lighted Temperature Indicator

| <i>Low</i> | <i>Low-Med</i> | <i>Med-High</i> | <i>High</i> |
|--------------|----------------|-----------------|--------------|
| 145 - 155° F | 156 - 165° F | 166 - 175° F | 176 - 185° F |
| 61 - 71° C | 72 - 76° C | 77 - 82° C | 83 - 87° C |

- Over/Under Voltage Protection Standard
- Tempered, Black Glass Control Panel Overlay

Standard Warranty:

- One Year, Parts & Labor

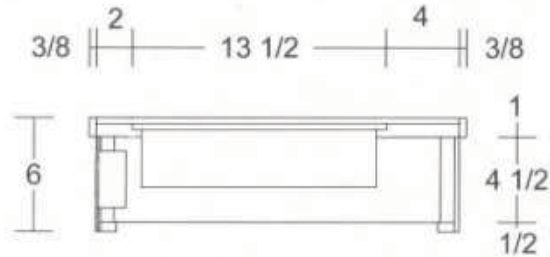
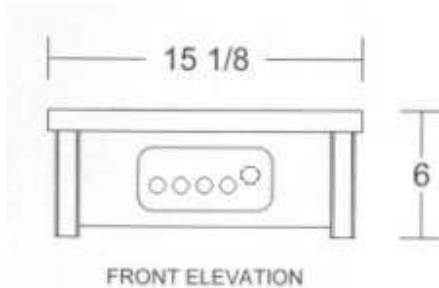
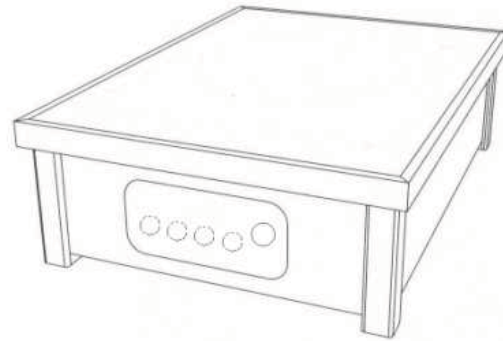
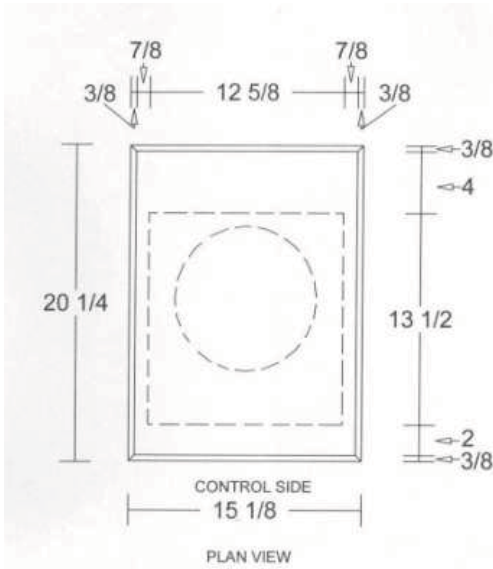
Agency Listings:

- FCC
- ETL
- ETL-Sanitation to NSF-4
- CETL

Available Accessories/Alternate Configurations:

- Induction-Ready Pans & Servers [Spring USA Catalog]
- Countertop, Portable Induction Ranges [See Spec.SIR-1]
- Countertop (Hold-Only) Induction Hot Plate [Spec.SIR-2]

Single SmartStone™ Tabletop Induction Warming System Model: SRC-651SS



[EC] Electric Requirements:

| Model | Voltage | Phase | Hertz | Watts | Amps | Plug | Receptacle |
|-----------|------------|-------|-------|-------|------|------------|------------|
| SRC-651SS | 110-120 AC | 1 | 60 | 650 | 5.4 | NEMA 5-15P | NEMA 5-15R |

Key Dimensions & Shipping Information:

| Model | Unit Width | Unit Depth | Unit Height | Weight * | Single Unit Shipping Carton * | | |
|-----------|---------------------|--------------------|-------------------|---|-------------------------------|-----------------|------------------|
| | | | | | Width | Depth | Height |
| SRC-651SS | 12.625" (321 mm) | 13.375 (340 mm) | 4.375 (112 mm) | Unit: 11 lbs (5 kg) *Shipping: 13 lbs. (5.9 kg) | 22" (559 mm) | 19" (483 mm) | 7.5" (191 mm) |

Notes & Conditions:

This induction range requires use of ferrous metal, induction-ready cookware.

Due to continuous product improvement, specifications are subject to change without notice