



Project _____
 Item # _____ Quantity _____
 Model # _____



SmartStone® Induction Warmer

(Hidden Under SmartStone® Countertop)

Model #	Voltage	Peak Power	Plug Type
SM-651SS (US)	110-120	650 W	NEMA 5-15P
SM-653SS (Int'l)	220-240	650 W	CEE-7/7 16A Schuko
SM-653SSU (UK)	220-240	650 W	BS 1363 (13A) U.K.

Description:

Spring USA's SmartStone® Induction Warmer is a hidden, heating unit for product holding that is mounted under a SmartStone® countertop with a separate control panel. Each range includes our exclusive SmartScan® technology with over/under voltage protection, pan size and pan type recognition, and large LED power/temp display.

Construction & Performance Features:

- Magnetic SmartScan® technology heats the serving vessels, not the countertop
- Sealed induction base with flanged cooking surface for easy mounting under countertop
- Separate control panel with 60" (1.5 m) cable for easy mounting
- Mounting frame bracket
- Choose stationary or mobile units
- Choice of (20) SmartStone® colors
- Simple, solid state controls
- Power ON/OFF touch pad
- Power ON/Pan-Present indicator lights

- Four-Position Set-Hold Temperature Control
- Lighted temperature indicator
- Temperature range

Low	Low-Med	Med-High	High
145-155°F	156-165°F	166-175°F	176-185°F
62-68°C	69-73°C	74-79°C	80-85°C

Standard Warranty:

Spring USA Induction Ranges offer a one (1) year, overnight exchange warranty, from the date of invoice, against manufacturers defects. See SpringUSA.com for more details.

Agency Listings:

- ETL
- UL STD 197
- FCC
- CETL
- ETL-Sanitation to NSF-4



SmartStone® Induction Warmers

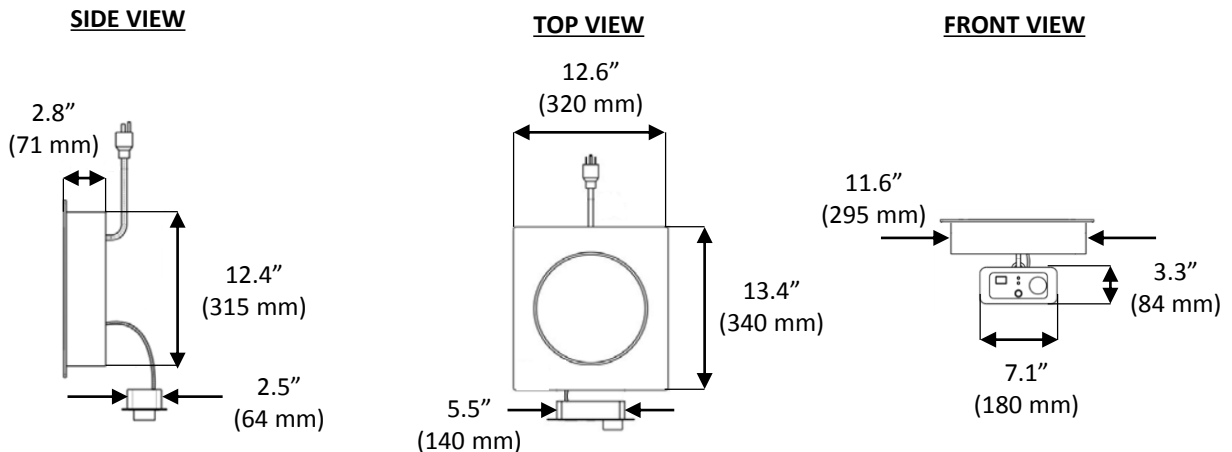
Available Accessories/Alternate Configurations:

- Induction-ready Cookware and Serving Vessels [Spring USA Catalog]
- Built-In, High Power Induction Ranges [See Spec. SIR-3]
- Countertop, Portable Induction Ranges [See Spec. SIR-1]
- Mobile & Custom Configurations [Contact Spring USA]

Electric Requirements:

Model #	Voltage	Phase	Hertz	Watts	Amps	Plug
SM-651SS (US)	110-120	1	60	650	5.4	NEMA 5-15P
SM-653SS (Int'l)	220-240	1	50-60	650	2.7	CEE-7/7 16A Schuko
SM-653SSU (UK)	220-240	1	50-60	650	2.7	BS 1363 (13A) U.K.

Key Dimensions:



Net Weight: 10.6 lb. (4.8 kg)

Control box cutout: 5.6" L x 2.6" W
 (142 mm L x 66 mm W)



Project _____
Item # _____ Quantity _____
Model # _____

SmartStone® Induction Warmers

Shipping Dimensions:

Single Unit Shipping Carton				
Model #	Length	Width	Height	Weight
SM-651SS (US)	18.0"	16.0"	6.0"	13.0 lb.
SM-653SS (Int'l)	457 mm	406 mm	152 mm	5.9 kg
SM-653SSU (UK)	457 mm	406 mm	152 mm	5.9 kg

Notes & Conditions:

1. SmartStone® Induction Warmers are sold as a complete system. Ranges are not sold separately.
2. This induction range must be mounted (by others) under SmartStone® approved material in a base cabinet or portable table with the control module mounted on the front of that enclosure [see cutout dimensions above].
3. For optimum performance, allow 4" clearance from front and sides; 7" below unit for good air circulation. **Cabinet ventilation must be provided.** The inside temperature of the cabinet must not exceed 90°F/32°C.
4. Actual range temperature may vary due to a number of variables, such as ambient temperature in the immediate surrounding area, content and volume of food being heated or cooked, and whether or not you are using a cover on the serving vessel.
5. This induction range requires use of ferrous metal, induction-ready cookware.
6. Spring USA Induction Servers and Induction Warmers/Ranges are designed to work together as a system. Optimal performance is achieved by using Spring USA components in conjunction with each other. As the first to offer such induction systems, Spring USA cannot warranty the performance of facsimile products offered by other companies.