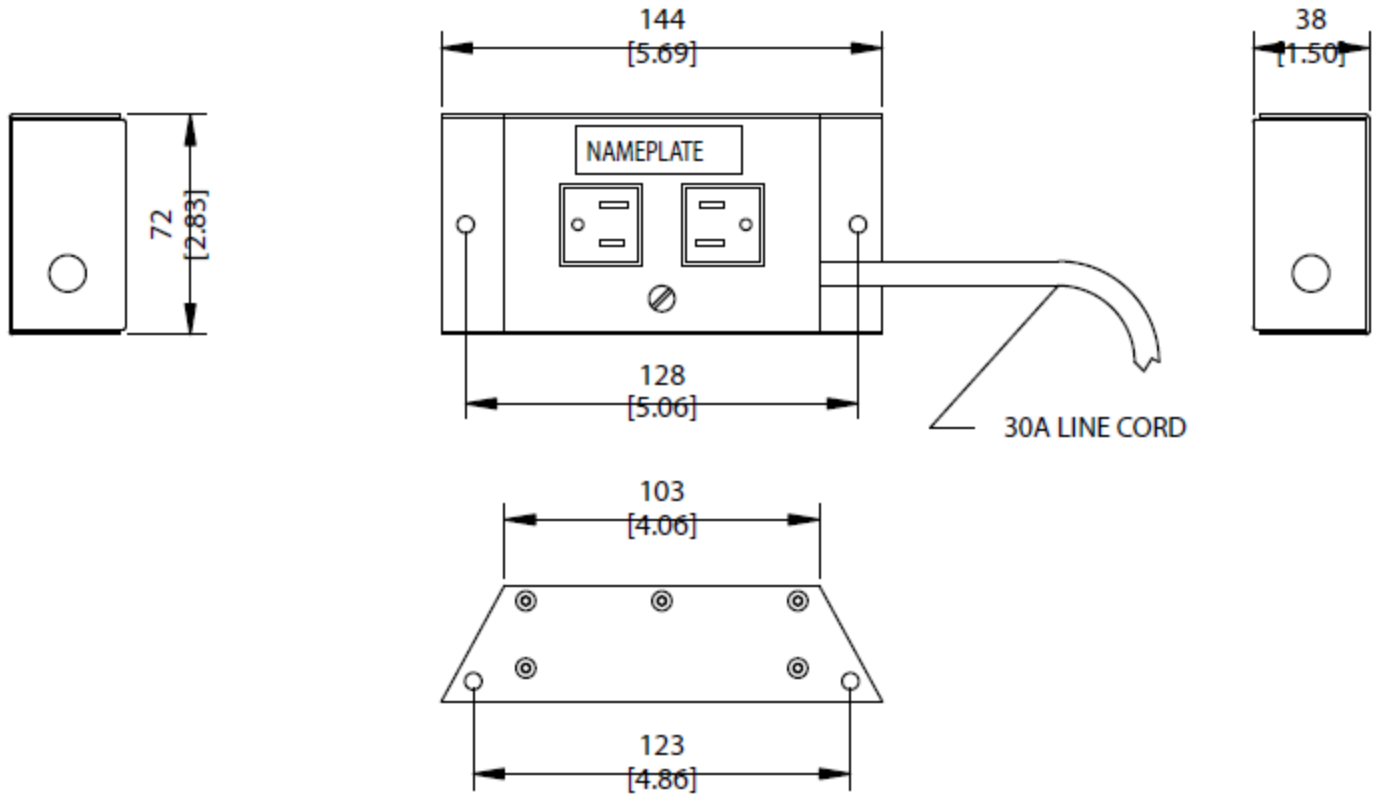


Power Management PM-221

Project: _____

Item #: _____ Quantity: _____

Model #: _____



Model	Voltage	Amps	Input
Power Management System PM-221	120 Volt/US	2@ 15 Amps	208/240 VAC Input

Notes & Conditions:

1. Stainless Steel MTG Hardware Provided
2. Stainless Steel Enclosure
3. All Stainless Steel Hardware
4. For Mounting Under Table
5. 6-Foot, 30A Line Cord & Plug Provided
6. 30A Receptacle & Wall Plate Provided
7. All Outlets Surge Protected
8. Estimated Weight <5 LBS.

Rev B:

Rev A: Rotate O/L, Del. Ind 03-18-08

Due to continuous product improvement, specifications are subject to change without notice