



Model ICS348-26 shown with three MAX Induction® Ranges & two AF-350 Downdraft Air Filter Systems

Project: _____

Item #: _____ Quantity: _____

Model #: _____



Mobile Induction Cooking Station

- Model: ICS234-18 (w/Two 1800Watt Ranges)**
- ICS234-26 (w/Two 2600 Watt Ranges)**
- ICS348-18 (w/Three 1800 Watt Ranges)**
- ICS348-26 (w/Three 2600 Watt Ranges)**

Order Guide:

√	Model #	Ranges	Voltage/Power	AF350 Filters
	ICS234-18	2	110-120V/1800W	1
	ICS234-26	2	208-220V/2600W	1
	ICS348-18	3	110-120V/1800W	2
	ICS348-26	3	208-220V/2600W	2

Short Form Specifications:

Unit to be a Spring USA Model: ICS _____ [Specify 234 for two ranges or 348 for three ranges] - _____ [Specify 18 for 1800 watt or 26 for 2600 watt] Induction Cooking Station, with flush mounted MAX Induction Ranges®, with 5mm thick, tempered glass cook tops; individual SmartScan® controls providing: voltage, pan size and pan type recognition, choice of power or temperature mode, ferrous pan recognition, large LED power/temp display; one or two quiet downdraft AF-350 Air Filter Systems; an integrated Power Management System, mounted in an attractive color laminate enclosed cabinet base with casters, plus all the features listed.

Construction & Performance Features - Cabinet:

- Choice of 34" model with two or 48" model with three ranges
- Heavy duty, easy to clean, stainless steel work top
- Laminated wood rear, sides & hinged front access doors [Specify Color] {See Page 2 for available colors}:
Cherry, Light Maple, Red Maple, Ebony, Beige Linen, Gray Chromatix, Black or Pewter Finish
- Heavy duty 5" diameter casters with rubber tires (front locking)
- Cabinet mounted Power Management System for single point power connection via NEMA 14-50P plug

Construction & Performance Features – Air Filter System:

In cabinet mounted AF-350 downdraft filtration system with:
Attractive stainless steel, counter-level, capture flue (s)
Washable pre-filter, primary cell filter & carbon absorption filter
Delivering 96.7% capture of 1-3 micron particulate

Construction & Performance Features – MAX Induction® Ranges

- Option for 1800 watt or 2600 watts of power
- Rugged 5mm thick, easy to clean, tempered glass cook top
- Easy-service drawer slide for AF-350 Downdraft Air Filter System

Individual Solid State SmartScan® PC Controls With:

- Power On/Off
- Power ON/Pan present indicator light
- Simple knob-set thermostat control
- Digital LED display of Power Level from 1-20 [Cook Mode] or Temperature 100°-400°F [Temp Mode]
- Cook/Temp Mode Touch Pad
- Cook & Temp Mode indicator lights
- Over/Under Voltage protection standard
- Black, smoke-glass, tempered faceplate

Standard Warranty:

One-year, parts & labor

Agency Listings:

<u>Induction Ranges</u>	<u>Air Filter System</u>
FCC	UL
ETL	UL Sanitation to NSF-4
CETL	ANSI/NSF No. 2
ETL	CETL Approved
UL Sanitation to NSF-4	
UL 197	

Available Accessories/Alternative Configurations:

- Designer cabinet laminate finishes (special order)
- Drop-leaf side shelf (12" x 22"): ___ Mount left ___ Mount right
- Push handle: ___ Mount left ___ Mount right
- Induction-Ready Cookware – See Spring USA Product Catalog



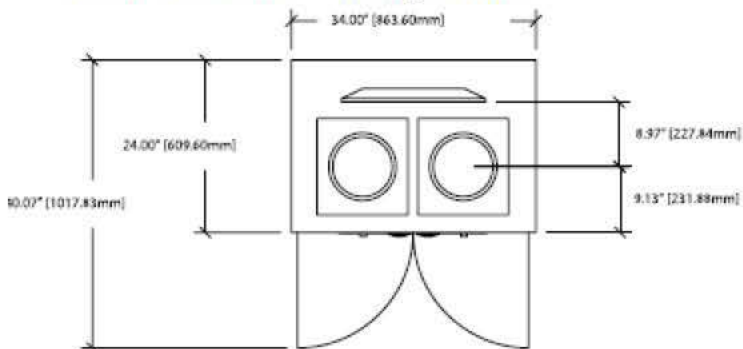
Mobile Induction Cooking Station

Project: _____

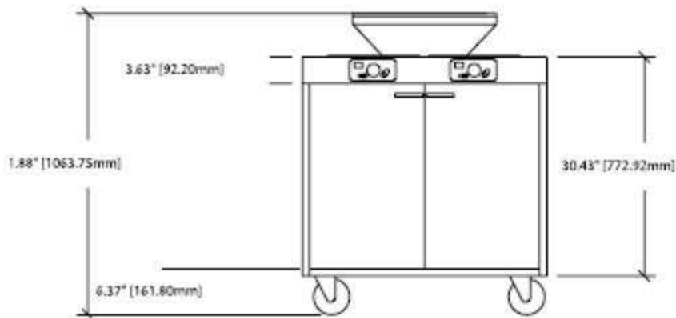
Item #: _____ Quantity: _____

Model #: _____

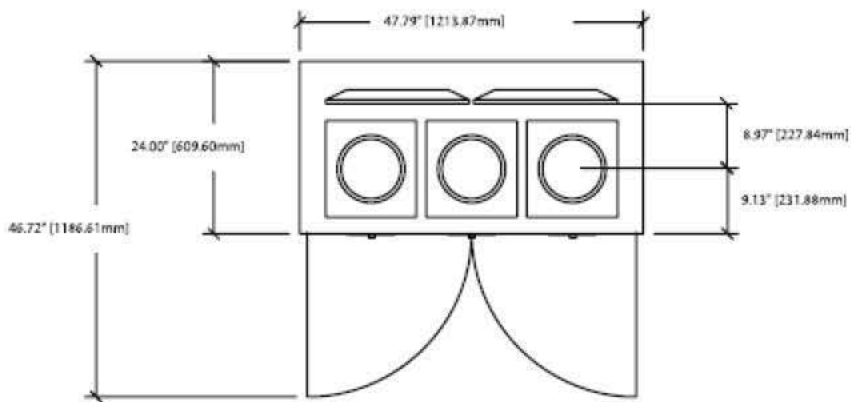
**Model: ICS234-18 (w/Two 1800Watt Ranges)
ICS234-26 (w/Two 2600 Watt Ranges)
ICS348-18 (w/Three 1800 Watt Ranges)
ICS348-26 (w/Three 2600 Watt Ranges)**



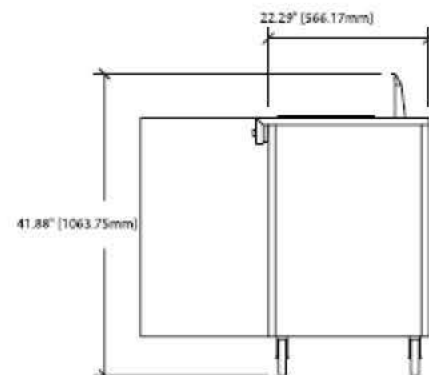
TOP VIEW [34" Models]



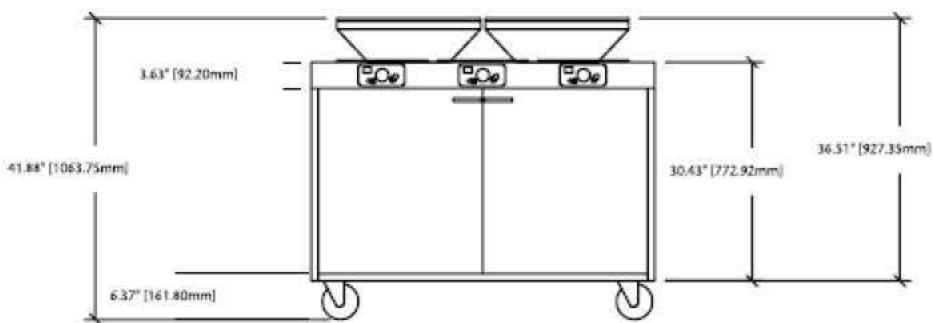
FRONT VIEW [34" Models]



TOP VIEW [48" Models]



SIDE VIEW [34" Models]



FRONT VIEW [48" Models]

(Optional) Handle adds approximately 6" to the overall dimension

(Optional) Drop Leaf, when folded down, adds approximately 4" (Drop Leaf shelf when up, measures 12" x 22")



Cabinet Color Choices:





Mobile Induction Cooking Station

Project: _____

Item #: _____ Quantity: _____

Model #: _____

Model: ICS234-18 (w/Two 1800Watt Ranges)
ICS234-26 (w/Two 2600 Watt Ranges)
ICS348-18 (w/Three 1800 Watt Ranges)
ICS348-26 (w/Three 2600 Watt Ranges)

[EC] Electric Requirements Total-[From Power Management System]:

Model	Voltage	Phase	Hertz	kW	Amps	Plug*	Receptacle
ICS234-18	110-120 AC	1	60	3.95	33	NEMA 14-50P	NEMA 14-50R
ICS234-26	208-220 AC	1	50 or 60	5.55	27	NEMA 14-50P	NEMA 14-50R
ICS348-18	110-120 AC	1	60	6.1	50	NEMA 14-50P	NEMA 14-50R
ICS348-26	208-220 AC	1	50 or 60	8.5	42	NEMA 14-50P	NEMA 14-50R

*6' (1.8 m) power cord with plug provided

Key Dimensions & Shipping Information:

Model(s)	Unit Width	Unit Depth	Counter Height*	Shipping Weight*	Shipping Carton Dimensions		
					Length	Width	Height
ICS234-18	34"	24"	36"	265 lbs.	75"	38"	47"
ICS234-26	(864 mm)	(610 mm)	(915 mm)	(120 kg)	(1905 mm)	(966 mm)	(1194 mm)
ICS348-18	48"	24"	36"	345 lbs.	75"	38"	47"
ICS348-26	(1220 mm)	(610 mm)	(915 mm)	(157 kg)	(1905 mm)	(966 mm)	(1194 mm)

* 41.88" (1063 MM) to top of air filter flue intake

Notes & Conditions:

1. Ensure that you have dedicated power wherever you are planning to use your Mobile Induction Cooking Station. Refer to the Operation Manual for detailed instructions regarding power requirements & specific operating instructions.
2. For optimum performance, your MAX Induction® Ranges must have good air circulation. Your induction range must have proper ventilation at all times. Refer to your MAX Induction® Operation Manual for steps on how to properly clean and maintain your induction range(s).
3. Induction ranges require the use of ferrous metal, induction-ready cookware.

Due to continuous product improvement, specifications are subject to change without notice

Refer to Individual Specification Sheets for the Induction Ranges, as well as the AF-350 Air Filtration System for detailed maintenance instructions.

Visit the Spring USA Website for Additional Accessories:

Induction-Ready Cookware, Utensils, & Replacement Filters

