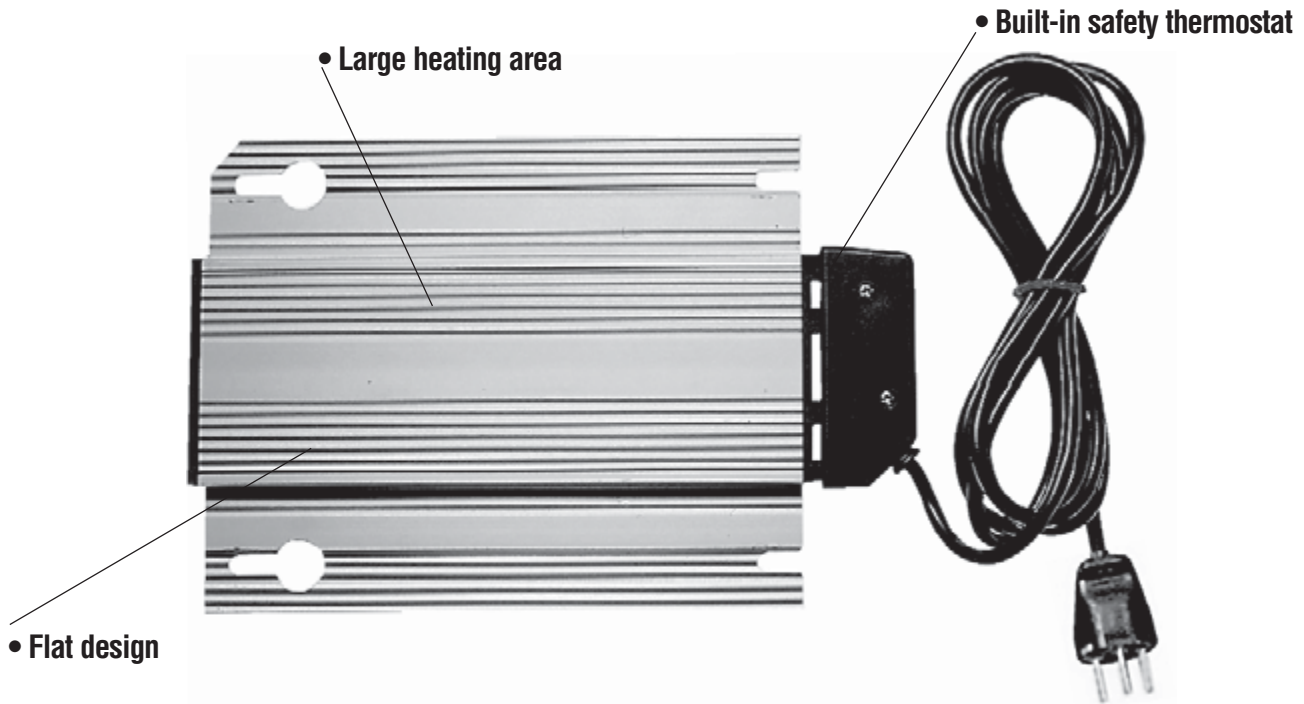


Electric Heating Element

Model #9509

The 9509 heating element is a self-regulating and temperature limiting element for heating applications where minimum operator control is required. The 9509 has an integrated safety thermostat to prevent it from overheating.



Technical Data

Part No.	9509	Power cord:	PVC cable, 8 ft with grounded plug
Operating voltage:	AC 100-120V	Protection class:	I (grounded)
Heating power:	600W	Protection type:	IP 54 (protected against water spray)
Operating current:	5A at 120VAC	Weight:	Approx. 2.2 lbs.
Surface temperature:	Approx. 210°C when not mounted	Approvals:	UL, VDE
Heating element:	Micanite heating element	Applications:	Chafing dishes
Overheat protection:	Built-in safety thermostat (temperature-limiting)		
Heater body:	Aluminum profile, silver anodized		
Wire compartment:	Plastic UL94V-0		

Accessories & Options

For use with all Spring rectangular full-size chafing dishes

*Note: Specifications are subject to change without notice, please refer to website for the latest specifications.
One-year warranty.*

Spring^{USA}

Electric Heating Element Diagram

Model #9509

