

2372-6/36 Sauteuse Induction Buffet Server



Buffet Server, 36cm, Sauteuse, 18/10 Stainless Steel with gold or chrome accents. ***Inserts sold separately!*** Depending on the insert chosen, capacity ranges from 1-1/4 quart, 2-1/2 quart or 4 quart.

A wide variety of Inserts available. Inserts offered are stainless steel or porcelain.

Depending on your venue, the Sauteuse can be used with a conversion stand (sold separately). See Item #E372-6.

Going Green? Ask about our Electric Heating Elements ~

Note:

Spring USA Induction Servers and Induction Warmers/Ranges are designed to work together as a system. Optimal performance is achieved by using Spring USA components in conjunction with each other. As the first to offer such induction systems, Spring USA cannot warrant the performance of facsimile products offered by other companies.



www.springusa.com

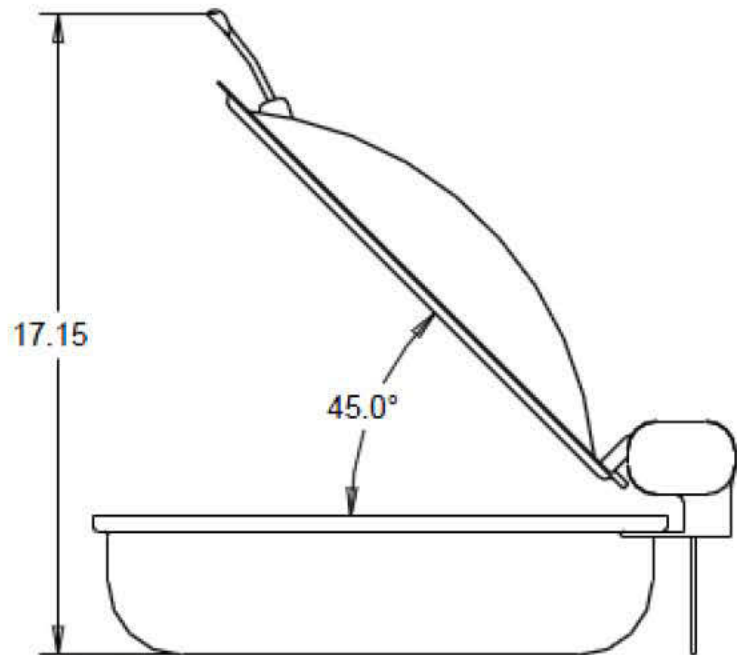
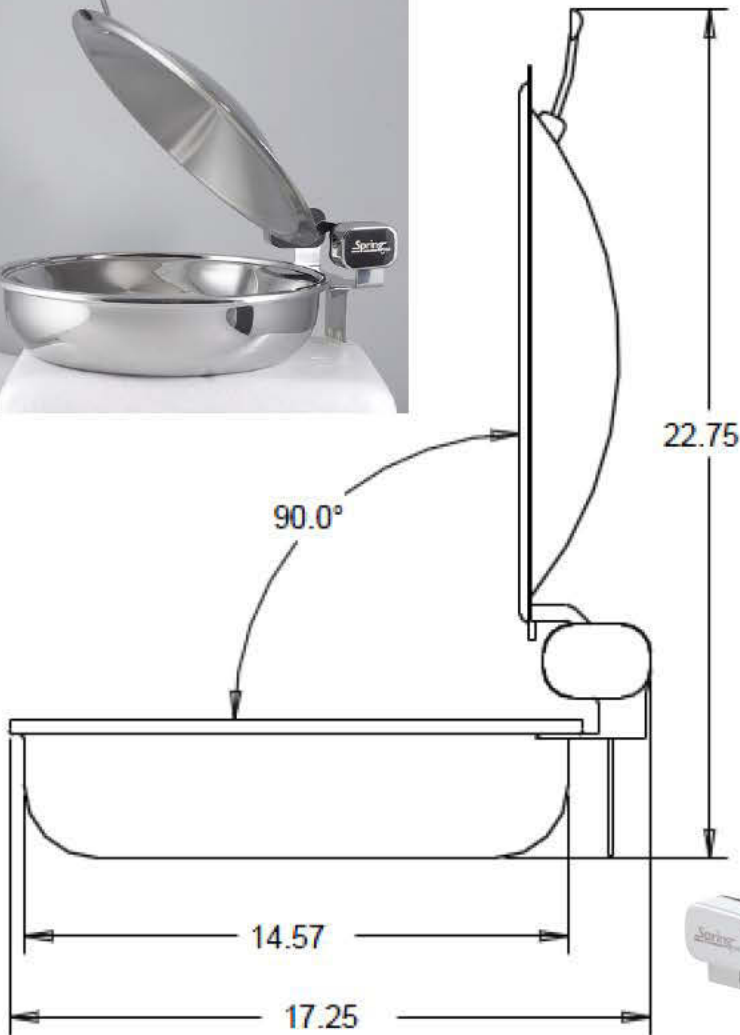
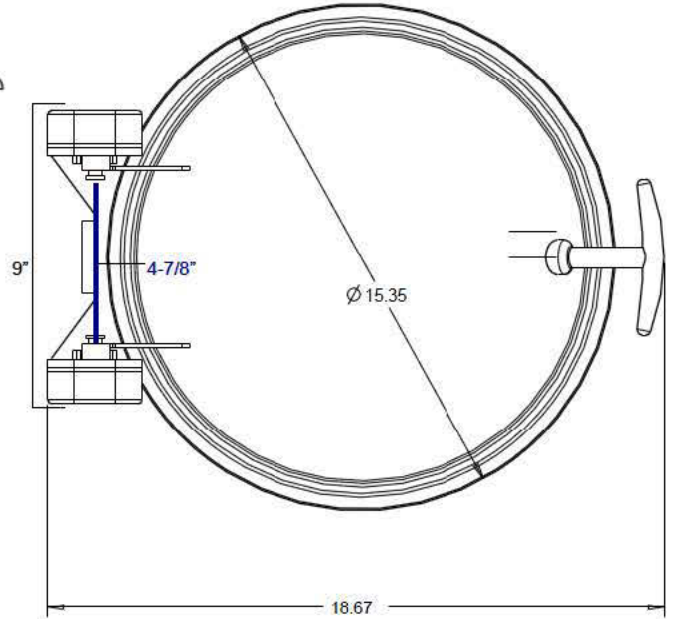
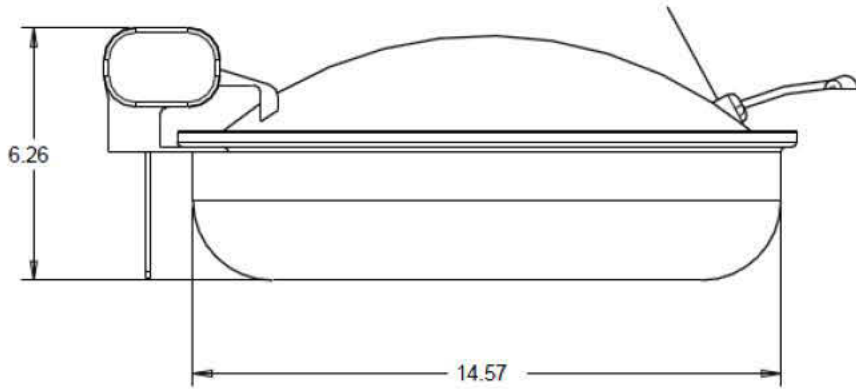
Spring USA®
The Evolution of Intelligent Design®



(1) 630-527-8600

Apr 2016

2372-6/36 Sauteuse Induction Buffet Server



2372-6/36 Sauteuse Induction Buffet Server

Available Inserts



372-66/36, 4 Quart Capacity



9557-59/36/12,
2 Quart Capacity
Yin/Yang Design



372-66/36D, 4 Quart Capacity



372-66/36/12, 2 Quart Capacity



372-36/12D, 2 Quart Capacity



9552-59/36, 1-1/4
Quart Capacity



9554-59/36, 2-1/4
Quart Capacity



DA172-36/37

Dim Sum Warming Basket, Three Piece Set

Set Includes Stainless Steel Ring, Bamboo Basket & Cover (For Use With 36" & 37" Round, Spring USA Convertible Buffet Servers) Additional Baskets Item # DB172



372-37



Three Section Adapter Set, Stainless Steel and Three Insert Pans (For Use With 36" & 37" Round, Spring USA Convertible Buffet Servers)