

2171-6 Reflection By Spring USA Full-Size, Rectangular Induction Buffet Server



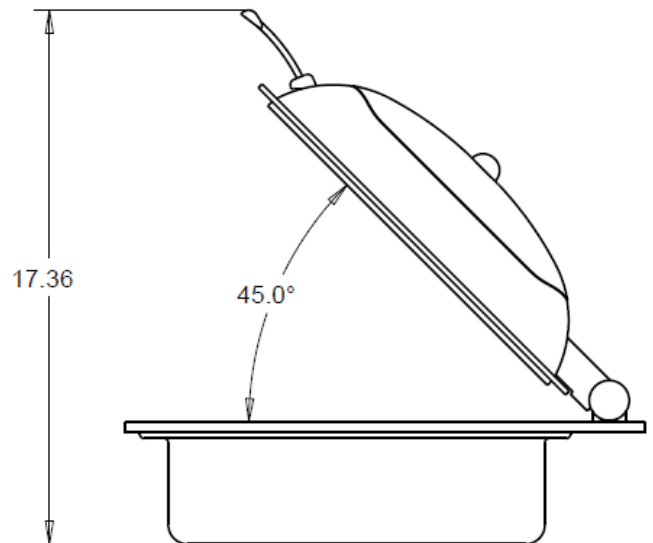
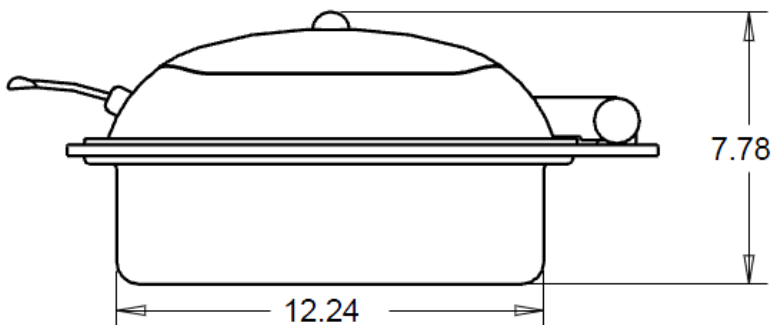
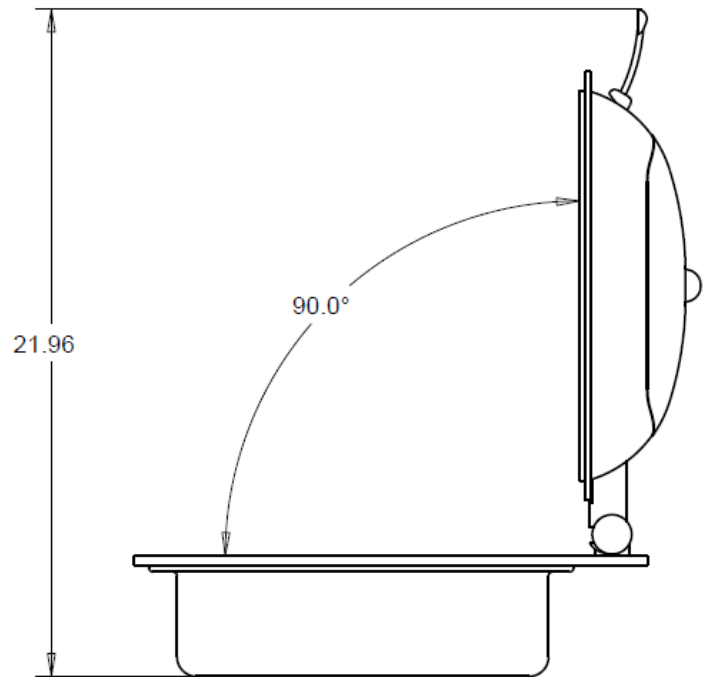
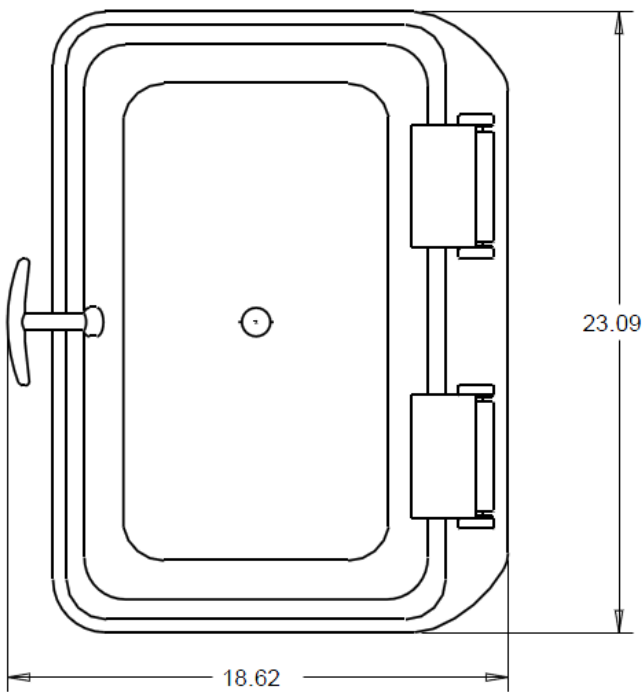
Reflection By Spring USA, Full-Size, Induction-Ready, Rectangular Convertible Buffet Server with Easy-View Top & Wing Handle. Server has a 9-quart capacity, and comes with one standard insert pan, 12" x 20" x 2-1/2".

Aggressively priced and available in three separate sizes - the Full-Size - featured here ~ as well as a round, and square 2/3rd sized server. (Search Reflection By Spring USA from our Product Search field to view the additional servers in this line.)

Reflection By Spring USA features a Cartridge Axle System, and an Easy-View cover. Guests can see the server contents without opening the cover. Server takes standard, full-size hotel pans, allowing for easy change out of contents. Server accepts our #522 series insert pans.

Full-Sized Reflection By Spring USA features two support stabilizer bars to keep the server in place on countertops.

2171-6 Reflection By Spring USA Full-Size, Induction Buffet Server



www.springusa.com

Spring USA[®]
The Evolution of Intelligent Design™

800-535-8974

Jan 2012